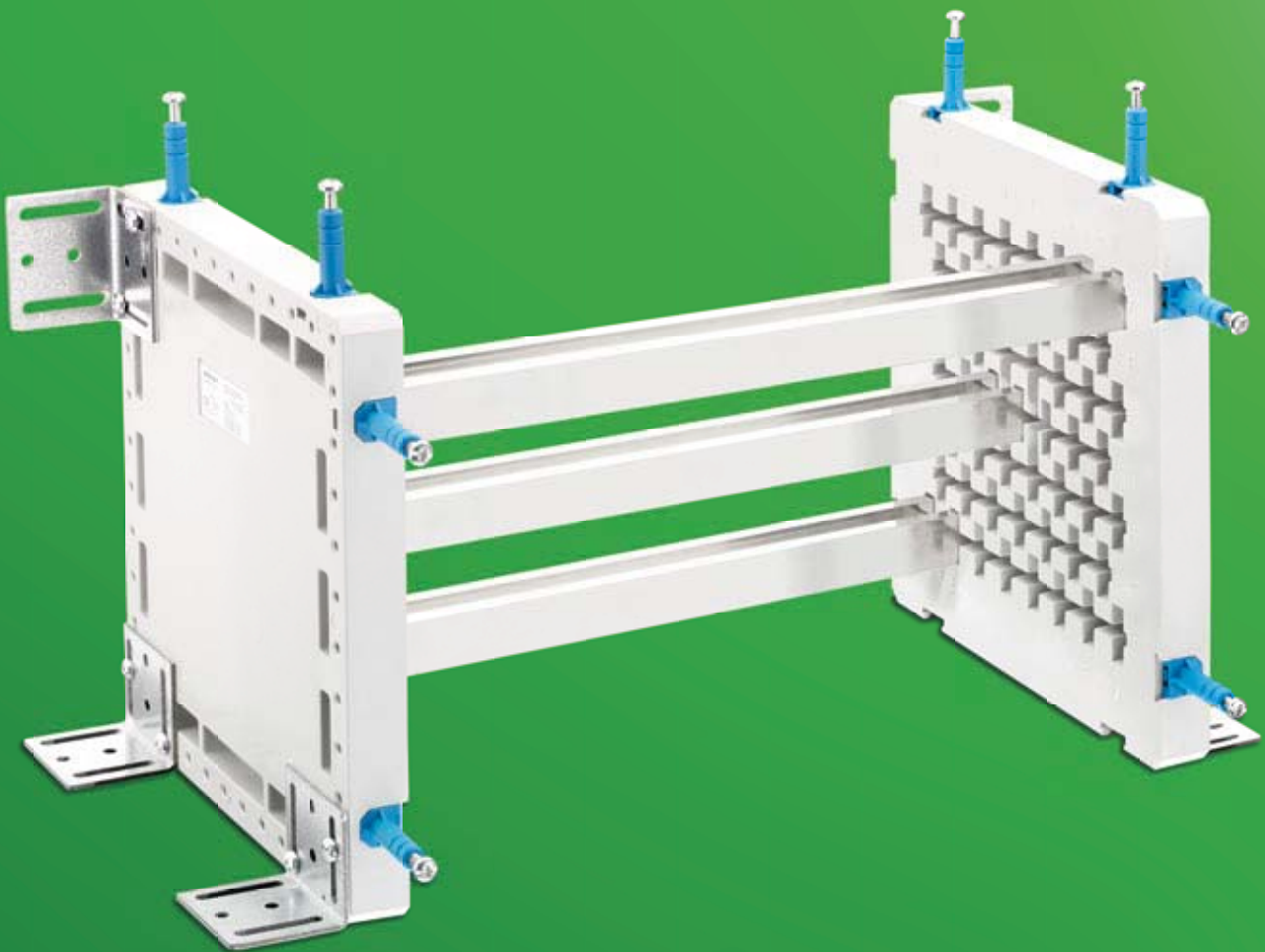
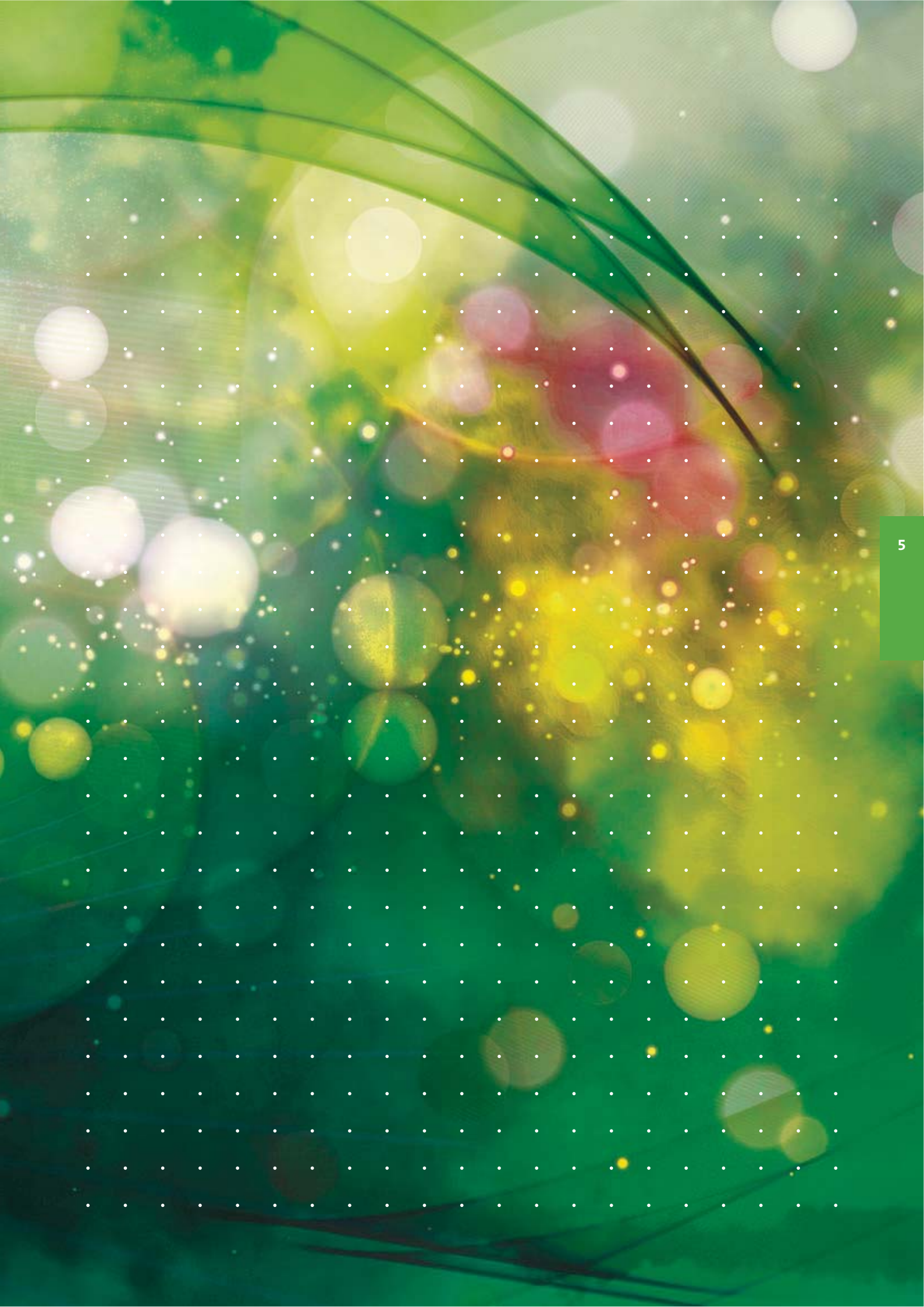
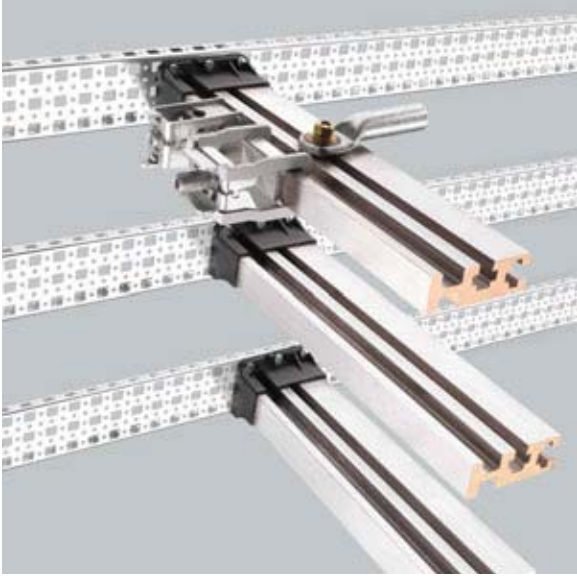
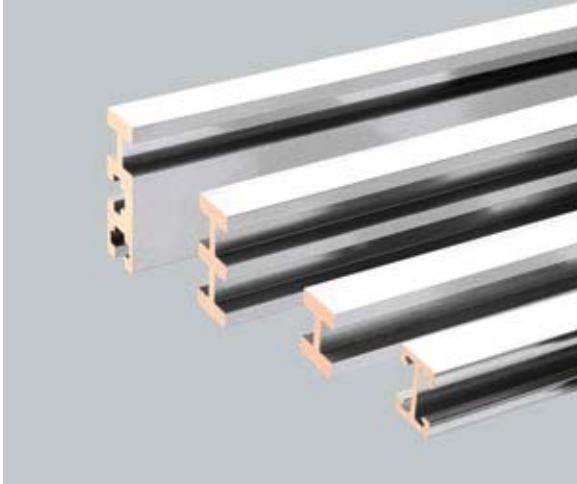


CENTRE FEED UNIT 3200A/4000A

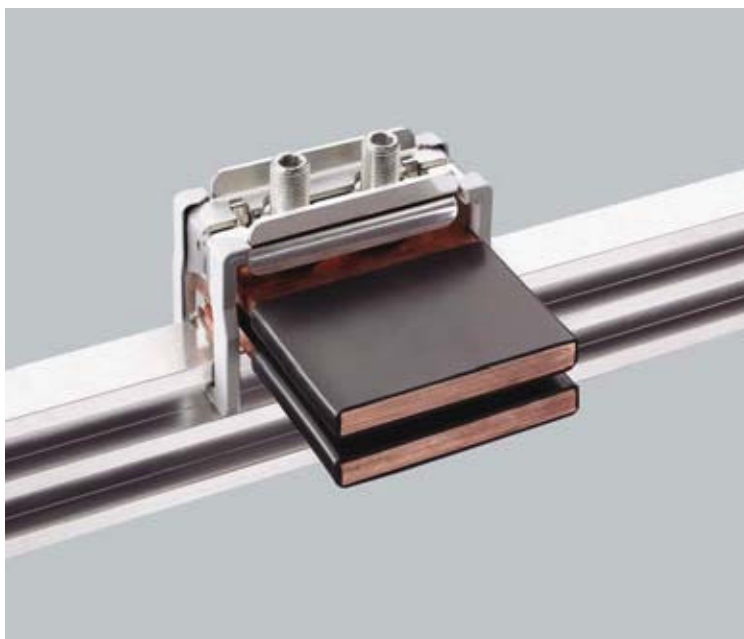




		
<p>Centre feed unit</p>		
<p>New TCC section busbar: Connection options with CRITO®PowerClip and CRITO®ProfiClip, and terminal studs (screw in c-slot).</p>		
<p>1-pole, side busbar support for variable, multi-pole structures; also suitable for double-T and triple-T sections</p>		
<p>System benefits</p> <p>The fuse-free construction of this feed unit is possible due to its high short-circuit rating. The centre feed unit 4000A is designed specifically as a wiring transition point.</p> <p>Centre feed unit 4000A</p> <p>Triple-T profile and corresponding profile terminals allow a secure transmission of currents up to 4000A in centre feeds. The clear design, the drill-free assembly and the direct electrical contact made with the aid of embracing Crito® profile terminals reduce the assembly time to a minimum.</p> <p>The ability to accommodate multiple incoming connections of up to 300mm² in Cu or Al, and the wide range of outgoing connections up to 2 x 100 x 10mm², together with a choice of 3 or 4-pole construction, make it possible to create customised solutions.</p> <p>The new TCC section busbars offer even more connection options: one side with a 30 x 10 T section for connection with universal and brace terminals ensure secure and fast connection – and can be retrofitted easily. Two other sides of this busbar are fitted with C-slots for securing studs. Busbars, for example, can be easily connected here; connections can be made on up to three sides simultaneously.</p> <p>Standardised production and type-testing ensure that units always meet relevant safety standards. Current capacity, which is fully confirmed by type-testing, and a short-circuit withstand capacity of up to 120kA, guarantee that these units are suitable for use in even the most demanding applications. This system has also been listed to the UL508 standard for use in North America.</p>		
		<p>Busbars for centre-feed unit</p>
		<p>Double-T and triple-T sections with two different cross-sections</p>
		<p>Triple-T sections</p>
		<p>TCC section busbar for strong currents and triple-sided connection options</p>
		<p>Prefabricated lengths for various enclosure widths</p>



Centre feed unit up to 4000A combines the benefits of high short-circuit withstand capacity, assembly without drilling, clamp-type terminals and simple construction



CRITO®PowerClip

Brace terminals for 50, 63 and 100mm flexible copper busbars

For 30 x 10mm busbars and section busbars

For feeder circuits up to 600V applicable according to UL 508A



35 005
01 318
01 911
35 005

Centre feed unit up to 3200A

Centre feed unit

Cabinet width	Mounting dimensions	Busbar length	Busbar cross-section	Rated current	Pack size	Weight kg/100 u.		Part no.	
600	488 - 563	453	500	1250A	1	1434.0		35 007	11
800	688 - 763	653	500	1250A	1	1716.0		35 006	11
600	488 - 563	453	720	2000A	1	1716.0		35 005	11
800	688 - 763	653	720	2000A	1	2488.0		35 004	11
600	488 - 563	453	1140	3200A	1	2200.0		35 015	11
800	688 - 763	653	1140	3200A	1	2940.0		35 016	11
basic system: 2 busbar supports, 6 fixing brackets with screws, 3 busbars cut to length; 8 supports for covers									

CRITO®, universal conductor terminal

Connection	Terminal space W x H	For use up to max.	Pack size	Weight kg/100 u.		Part no.	
16 - 120	17 x 15	440A	25	10.9		01 203	07
95 - 300	41 x 25	630A	3	85.7		01 094	07

CRITO®, brace terminals for round conductor

Connection	For use up to max.	Pack size	Weight kg/100 u.		Part no.	
Cu and Al 95 - 185mm ² , rm, sm; Cu or f	500A	6	31.2		01 318	07
Cu and Al 120 - 300mm ² , rm, sm; Cu or f	600A	3	42.5		01 760	07

CRITO®, Profile terminal, connection at front and back of busbar section

Connection	Section	Terminal space W x H	Side supply	Centre supply	Pack size	Weight kg/100 u.		Part no.	
320 - 800mm ²	double-T	41 x 20 - 42	1600A	1600A	3	67.0		01 185	07
500 - 750mm ²	double-T	51 x 5 - 28	1600A	1600A	3	70.5		01 906	07
600 - 900mm ²	double-T	64 x 5 - 28	1600A	1600A	3	84.0		01 907	07
500 - 1000mm ²	double-T	51 x 20 - 42	1600A	2000A	3	73.5		01 936	07
600 - 1200mm ²	double-T	64 x 20 - 42	1600A	2000A	3	85.9		01 911	07
800 - 1600mm ²	double-T	81 x 20 - 42	1600A	2500A	3	101.1		01 934	07
1000 - 2000mm ²	double-T	101 x 20 - 42	1600A	2800A	3	113.7		01 935	07
320 - 800mm ²	triple-T	41 x 23 - 45	1600A	1600A	3	105.0		01 513	07
500 - 1260mm ²	triple-T	64 x 23 - 45	2000A	2500A	3	124.0		01 008	07
1200 - 3600mm ²	triple-T	101 x 23 - 45	2500A	3200A	3	172.7		01 186	07

for the connection of flat busbars and laminated copper busbars



01 188
35 008

CRITO®, brace terminals for busbars 30 x 10 and section busbars

For busbars	Terminal space W x H	Side supply	Centre supply	Pack size	Weight kg/100 u.	Part no.		
30 x 10 and double-T and triple-T section	55 x 10 - 28	1600A	2000A	3	50.0	01 069	07	
	68 x 10 - 28	1600A	2000A	3	63.0	01 070	07	
	105 x 10 - 28	1600A	2800A	3	84.0	01 071	07	
for the connection of flat busbars and laminated copper busbars								

CRITO®, clip-on screw clamp connection

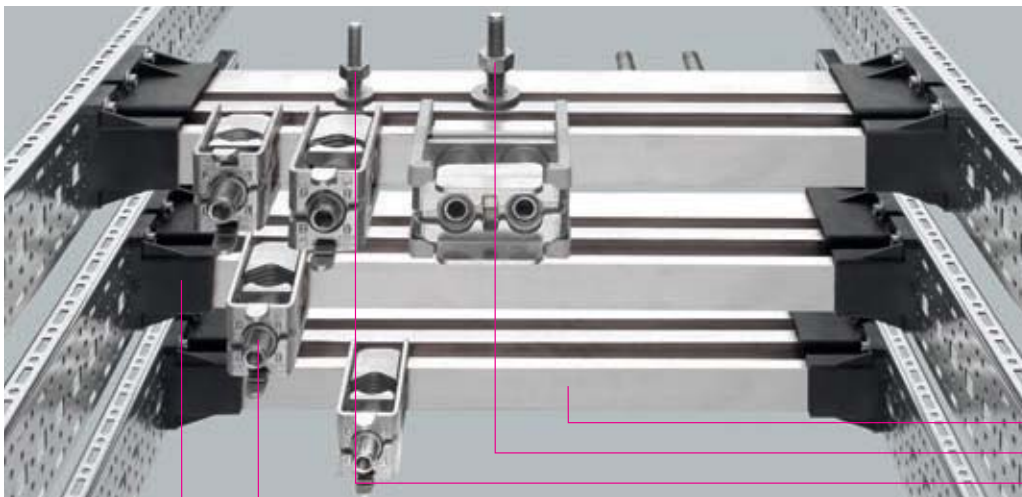
Busbars	Terminal space W x H	For use up to max.	Pack size	Weight kg/100 u.	Part no.	
for cable lug DIN 46 234	M8 x 8	490A	20	16.5	01 514	07
	M10 x 10	630A	6	36.2	01 047	07

Laminated copper busbar, insulated, length 2m

Connection	Rated current 50K	Cross section	Pack size	Weight kg/100 u.	Part no.	
10 x 40 x 1	1053A	400	1	746.0	01 615	06
10 x 50 x 1	1244A	500	1	932.0	01 509	06
10 x 63 x 1	1481A	630	1	1180.0	01 510	06
10 x 80 x 1	1777A	800	1	1490.0	01 061	06
10 x 100 x 1	2110A	1000	1	1870.0	01 273	06
further cross sections see page 7/7 and 7/8						

Components, for individual mounting

Type	Busbar length	Section	Cross section	Pack size	Weight kg/100 u.	Part no.	
busbar support, outer, universal, incl. fixing materials				2	458.0	35 008	11
busbar support for double-T section, central, 4-pole, incl. fixing materials				1	458.0	35 009	11
busbar support for double and triple-T section, central, 3-pole, incl. fixing materials				1	458.0	35 001	11
additional support for cover, including screw				4	1.4	35 017	11
section busbar, E-Cu, tin-plated	453	double-T	500	1	200.6	01 225	06
	650	double-T	500	1	288.1	01 226	06
	453	double-T	720	1	293.3	01 838	06
	653	double-T	720	1	424.0	01 831	06
	453	triple-T	1140	1	464.0	01 188	06
	653	triple-T	1140	1	672.3	01 189	06



- 01 378
- 01 379
- 01 380
- 01 760
- 01 369

Centre feed unit up to 4000A

Busbar holder, 1-pole, lateral

Type	Pack size	Weight	Part no.
		kg/100 u.	
for 30 x 10, double-T, triple-T and TCC section busbars, 7.5mm insulation between busbar and mounting plate	6	11.0	01 369 06

E-CU busbar

Type	Length	Cross section	Pack size	Weight	Part no.
				kg/100 u.	
TCC section busbars, tin-plated	492	1600	1	696.7	01 377 06
	692	1600	1	980.0	01 378 06
	2400	1600	1	3416.0	01 610 06

Special connection screws, with nut and spring washer for TCC section busbars

Type	For lengths	Thread	Pack size	Weight	Part no.
				kg/100 u.	
connection screw for TCC sections, can be retrofitted	10-25	M10 x 45	12	5.1	01 379 07
connection screw for TCC sections, cannot be retrofitted	10-40	M12 x 60	12	9.1	01 380 07

CRITO®, brace terminals for round conductor

Connection	For use	Pack size	Weight	Part no.
	up to max.		kg/100 u.	
Cu and Al 95 - 185mm ² , rm, sm; Cu or f	500A	6	31.2	01 318 07
Cu and Al 120 - 300mm ² , rm, sm; Cu or f	600A	3	42.5	01 760 07

01 318 and 01 760: Not maintenance-free if aluminium conductors are used

CRITO®, brace terminals for flat conductor

Terminal space	Side	Centre	Pack size	Weight	Part no.
W x H	supply	supply		kg/100 u.	
30 x 20	630A	750A	6	30.3	01 319 07
32 x 20	630A	800A	3	34.7	01 759 07
55 x 10 - 28	1600A	2000A	3	50.0	01 069 07
68 x 10 - 28	1600A	2000A	3	63.0	01 070 07
105 x 10 - 28	1600A	2800A	3	84.0	01 071 07

