



FUSERBLOC and high-speed fuses (UR)

Fuse combination switches

protection of power semi-conductors up to 1250 A

Fuse protection



fuser_437_a_1_cat

FUSERBLOC
630 to 1250 A



fuser_439_a_1_cat

FUSERBLOC
from 25 to 400 A

The solution for

- > Protection of inverters and variable speed drives.



Strong points

- > Limitation of short-circuit current.

Large range

- > Contact us for any other combinations (1250 V UR fuses, notched fuses with 80 or 110 mm distance between centres, other sizes, etc.)

Function

FUSERBLOC fuse combination switches combined with high speed fuses (UR) provide optimal breaking and making on load, safety isolation and protection of power semiconductors (variable speed drives, inverters...)

Advantages

Limitation of short-circuit current

The limitation of short-circuit current provided by the fuse solution is the most performant and economical on the market (UR fuses).

FUSERBLOC and high-speed fuses (UR)

Fuse combination switches

protection of power semi-conductors up to 1250 A

Characteristics

FUSERBLOC for 690 VAC UR cylindrical fuses

FUSERBLOC CD 50 A for fuse size 14 x 51									
Fuse rating (A)	10	12	16	20	25	32	40	50	
Max. I for the FUSERBLOC (A)	10	12	16	20	25	29	36	40	
FUSERBLOC CD 125 A for fuse size 22 x 58									
Fuse rating (A)	20	25	32	40	50	63	80	100	
Max. I for the FUSERBLOC (A)	20	25	32	40	50	63	71	85	

References

Direct side operation

Fuse rating (A) Frame size	No. of poles	Switch body	Direct handle	Auxiliary contact pre-break and position
50 A / 14 x 51 1	2 P	3615 2005	Black 3629 7900	1 contact NO/NC 3999 0021 2 contacts NO/NC 3999 0022
	3 P	3615 3005		
	4 P	3615 6005		
125 A / 22 x 58 3	2 P	3615 2011	Black 3629 7901	
	3 P	3615 3011		
	4 P	3615 6011		

External right side or front operation

Fuse rating (A) Frame size	No. of poles	Switch body	External front handle	External side handle	Shaft for external handle	Auxiliary contact pre- break and position
50 A / 14 x 51 11	2 P	3831 2005	Black IP55 1411 2111 Red / Yellow IP65 1414 2111	Black IP55 1415 2111 Red / Yellow IP65 1418 2111	320 mm 1400 1032	1 contact NC 3999 0701 1 contact NO 3999 0702
	3 P	3831 3005				
	4 P	3831 6005				
125 A / 22 x 58 13	2 P	3831 2011	Black IP55 1421 2111 Red IP65 1424 2111	Black IP55 1425 2111 Red / Yellow IP65 1428 2111		
	3 P	3831 3011				
	4 P	3831 6011				

Accessories

Other accessories: See the FUSERBLOC pages

FUSERBLOC and high-speed fuses (UR)

Fuse combination switches

protection of power semi-conductors up to 1250 A

Characteristics

FUSERBLOC for DIN 43620 UR knife-edge fuses

FUSERBLOC 160 A for fuse size 000 and 00															
Fuse rating (A)	10	16	20	25	32	40	50	63	80	100	125	160	200	250	315
Max. I for the FUSERBLOC (A)	10	16	20	25	32	32	37	44	51	92	105	121	140	140	140
FUSERBLOC 250 A for fuse size 1*															
Fuse rating (A)				40	50	63	80	100	125	160	200	250	315	350	400
Max. I for the FUSERBLOC (A)				40	50	63	80	100	125	155	178	205	210	215	220
FUSERBLOC 400 A for fuse size 2															
Fuse rating (A)						200	250	315	350	400	450	500	550	630	700
Max. I for the FUSERBLOC (A)						200	250	285	310	330	330	340	340	350	350
FUSERBLOC 630 A for fuse size 3															
Fuse rating (A)									500	550	630	700	800	900	1000
Max. I for the FUSERBLOC (A)									360	380	420	450	480	500	510

References

Direct side operation

Fuse rating (A) Frame size	No. of poles	Switch body	Direct handle	Auxiliary contact pre-break and signalisation	Fuse protection covers
160 A / 00 3	2 P	3615 2015	Black 3629 7901	1 contact NO/NC 3999 0021 2 contacts NO/NC 3999 0022	3990 7015 ⁽¹⁾
	3 P	3615 3015			3990 8015 ⁽¹⁾
	4 P	3615 6015			3990 9015 ⁽¹⁾
160 A / 0 4	2 P	3615 2016			3990 7016 ⁽¹⁾
	3 P	3615 3016			3990 8016 ⁽¹⁾
	4 P	3615 6016			3990 9016 ⁽¹⁾
250 A / 1 5	2 P	3615 2024			3990 7024 ⁽¹⁾
	3 P	3615 3024			3990 8024 ⁽¹⁾
	4 P	3615 6024			3990 9024 ⁽¹⁾
400 A / 2 6	2 P	3615 2039			3990 7039 ⁽¹⁾
	3 P	3615 3039			3990 8039 ⁽¹⁾
	4 P	3615 6039			3990 9039 ⁽¹⁾
630 A / 3 17	2 P	3811 2063	Black 3899 6011	1 contact NC 3999 0701 1 contact NO 3999 0702	3890 8063 ⁽¹⁾
	3 P	3811 3063			3890 9063 ⁽¹⁾
	4 P	3811 6063			

(1) Terminal shrouds for FUSERBLOC fitted fuse blown microswitch.

FUSERBLOC and high-speed fuses (UR)

Fuse combination switches

protection of power semi-conductors up to 1250 A

External right side or front operation

Fuse rating (A) Frame size	No. of poles	Switch body	External front handle	External side handle	Shaft for external handle	Auxiliary contact pre-break and position	Fuse protection covers												
160 A / 00 13	2 P	3831 2015	Black IP55 1421 2111 Red / Yellow IP65 1424 2111	Black IP55 1425 2111 Red / Yellow IP65 1428 2111	200 mm 1400 1020 320 mm 1400 1032	1 contact NC 3999 0701 1 contact NO 3999 0702	3990 7015 ⁽¹⁾												
	3 P	3831 3015					3990 8015 ⁽¹⁾												
	4 P	3831 6015					3990 9015 ⁽¹⁾												
160 A / 0 14	2 P	3831 2016					Black IP65 1433 3111 Red / Yellow IP65 1434 3111	Black IP65 1437 3111 Red / Yellow IP65 1438 3111	200 mm 1400 1220 320 mm 1400 1232	1 contact NC 3999 0701 1 contact NO 3999 0702	3990 7016 ⁽¹⁾								
	3 P	3831 3016									3990 8016 ⁽¹⁾								
	4 P	3831 6016									3990 9016 ⁽¹⁾								
250 A / 1 15	2 P	3831 2024									Black IP65 1433 3111 Red / Yellow IP65 1434 3111	Black IP65 1437 3111 Red / Yellow IP65 1438 3111	200 mm 1400 1220 320 mm 1400 1232	1 contact NC 3999 0701 1 contact NO 3999 0702	3990 7024 ⁽¹⁾				
	3 P	3831 3024													3990 8024 ⁽¹⁾				
	4 P	3831 6024													3990 9024 ⁽¹⁾				
400 A / 2 16	2 P	3831 2039													Black IP65 1433 3111 Red / Yellow IP65 1434 3111	Black IP65 1437 3111 Red / Yellow IP65 1438 3111	200 mm 1400 1220 320 mm 1400 1232	1 contact NC 3999 0701 1 contact NO 3999 0702	3990 7039 ⁽¹⁾
	3 P	3831 3039																	3990 8039 ⁽¹⁾
	4 P	3831 6039																	3990 9039 ⁽¹⁾
630 A / 3 17	2 P	3811 2063	Black IP65 1433 3111 Red / Yellow IP65 1434 3111	Black IP65 1437 3111 Red / Yellow IP65 1438 3111	200 mm 1400 1220 320 mm 1400 1232	1 contact NC 3999 0701 1 contact NO 3999 0702													3890 8063 ⁽¹⁾
	3 P	3811 3063																	3890 9063 ⁽¹⁾
	4 P	3811 6063																	

(1) Terminal shrouds for FUSERBLOC fitted fuse blown microswitch.

Accessories

FUSERBLOC for DIN 43620 UR knife-edge fuses

Terminal shrouds for FUSERBLOC fitted fuse blown microswitch

Use

Protection against direct contact with live parts situated in the fuse compartment for FUSERBLOC fitted with UR fuses with fuse blown auxiliary contacts.

Rating (A)	Fuse ⁽¹⁾	No. of poles	Accessories ⁽²⁾	Options ⁽³⁾
			References	References
160	00	2 P	3990 7015	3999 7015
160	00	3 P	3990 8015	3999 8015
160	00	4 P	3990 9015	3999 9015
160	0	2 P	3990 7016	3999 7016
160	0	3 P	3990 8016	3999 8016
160	0	4 P	3990 9016	3999 9016
250	1	2 P	3990 7024	3999 7024
250	1	3 P	3990 8024	3999 8024
250	1	4 P	3990 9024	3999 9024
400	2	2 P	3990 7039	3999 7039
400	2	3 P	3990 8039	3999 8039
400	2	4 P	3990 9039	3999 9039
630	3	3 P	3890 8063	3899 8063
630	3	4 P	3890 9063	3899 9063



access_221_la

(1) For the fuses: see "UR fuses 10 to 2000 A" page

(2) If ordered at the same time as the standard device.

(3) If ordered later.

Other accessories: See the FUSERBLOC pages

FUSERBLOC and high-speed fuses (UR)

Fuse combination switches

protection of power semi-conductors up to 1250 A

Characteristics

FUSERBLOC for UR fuses type K/50

FUSERBLOC V 800 A for BK fuses size 2														
Fuse rating (A)	400	450	500	550	630	700	800	900	1000	1100	1250			
Max. I for the FUSERBLOC (A)	380	420	440	450	500	520	530	530	530	540	550			
FUSERBLOC 1250 A for fuse size 3														
Fuse rating (A)	500	550	630	700	800	900	1000	1100	1250	1400	1500	1600	1800	2000
Max. I for the FUSERBLOC (A)	500	550	620	630	720	790	870	940	1050	1100	1100	1100	1100	1100

References

Front operation

Rating (A) / Fuse	No. of poles	Switch body only ⁽¹⁾	Direct handle	External handle	Shaft for external handle	Fuse protection covers	Auxiliary contact pre-break and position	Terminal shrouds
800 A / 2	3 P	3680 3081	Please consult us	Black IP55 1443 3111 ⁽²⁾ Red / Yellow IP65 1444 3111	200 mm 1400 1220 320 mm 1400 1232	Please consult us	Please consult us	Please consult us
	4 P	3680 6081						
1250 A / 3	3 P	3680 3121						
	4 P	3680 6121						

(1) Please consult us.

(2) Standard.

Characteristics

FUSERBLOC for UR fuses type K/110

FUSERBLOC 250 A for fuse size 1* (690 VAC) ⁽¹⁾																									
Fuse rating (A)	40	50	63	80	100	125	160	200	250	315	350	400	450	500	550	630									
Max. I for the FUSERBLOC (A)	40	50	63	80	100	120	140	165	195	215	230	240	240	240	230	240									
FUSERBLOC 400 A for fuse size 1* (690 VAC) ⁽¹⁾																									
Fuse rating (A)					200	250	315	350	400	450	500	550	630	700	800	900									
Max. I for the FUSERBLOC (A)					145	165	200	220	240	265	290	310	340	370	395	395									
FUSERBLOC 500 A for fuse size 2* (690 VAC) ⁽¹⁾																									
Fuse rating (A)										400	450	500	550	630	700										
Max. I for the FUSERBLOC (A)										320	345	370	390	425	460										
FUSERBLOC 630 A for fuse size 2 to 690 VAC ⁽¹⁾																									
Fuse rating (A)											800	900	1000	1100	1250										
Max. I for the FUSERBLOC (A)											495	545	590	610	620										
FUSERBLOC 800 A for fuse size 3 to 690 VAC ⁽¹⁾																									
Fuse rating (A)												500	550	630	700	800	900	1000	1100	1250					
Max. I for the FUSERBLOC (A)												370	395	440	480	535	590	645	695	760	800	800	800	800	800
FUSERBLOC 1250 A for fuse size 3 Please consult us.																									

(1) For UR fuses type K/110 1250 VAC, please consult us.

References

External right side or front operation switch

Rating (A) / Fuse	No. of poles	Switch body	Direct side handle	Direct front handle	Fuse protection covers	Auxiliary contact pre-break and signalisation	Terminal shrouds
250 A / 1*	2 P	36U1 2024	Black 3629 7901		2 P 3990 2839 ⁽¹⁾ 3 P 3990 3839 ⁽¹⁾	1 contact NO/NC 3999 0021	2 P 3998 2025 3 P 3998 3025
	3 P	36U1 3024					
400 A / 1	2 P	36U1 2039					
	3 P	36U1 3039					
500 A / 2	2 P	38U1 2050	Black 1437 7911	Black 3899 6011	2 P 3890 2U63 ⁽¹⁾ 3 P 3890 3U63 ⁽¹⁾	1 contact NC 3999 0701 1 contact NO 3999 0702	2 P 3898 2080 3 P 3898 3080
	3 P	38U1 3050					
630 A / 2	2 P	38U1 2063					
	3 P	38U1 3063					
800 A / 3	2 P	38U1 2080					
	3 P	38U1 3080					
1250 A / 3	2 P	38U1 2120	Black 3899 7011	3890 2U12 ⁽¹⁾ 3890 3U12 ⁽¹⁾			3898 2120
	3 P	38U1 3120					3898 3120

(1) Terminal shrouds for FUSERBLOC fitted fuse blown microswitch.

FUSERBLOC and high-speed fuses (UR)

Fuse combination switches

protection of power semi-conductors up to 1250 A

External right side or front operation

Rating (A) / Fuse	No. of poles	Switch body	External front handle	External side handle	Shaft for external handle	Fuse protection covers	Auxiliary contact pre-break and position	Terminal shrouds
250 A / 1*	2 P	38U1 2024	S2 type Black IP55 1421 2111 S2 type Red IP65 1424 2111	S2 type Black IP55 1425 2111 S2 type Red/yellow IP65 1428 2111	320 mm 1400 1032	2 P 3990 2839 ⁽¹⁾ 3 P 3990 3839 ⁽¹⁾		2 P 3998 2025 3 P 3998 3025
	3 P	38U1 3024						
400 A / 1	2 P	38U1 2039	S2 type Red IP65 1424 2111	S2 type Red/yellow IP65 1428 2111	320 mm 1400 1032	2 P 3990 2839 ⁽¹⁾ 3 P 3990 3839 ⁽¹⁾		2 P 3998 2025 3 P 3998 3025
	3 P	38U1 3039						
500 A / 2	2 P	38U1 2050	S3 type Black IP65 1433 3111 S3 type Red/Yellow IP65 1434 3111	S3 type Black IP65 1437 3111 S3 type Red/Yellow IP65 1438 3111	320 mm 1400 1232	2 P 3890 2U63 ⁽¹⁾ 3 P 3890 3U63 ⁽¹⁾	1 contact NC 3999 0701 1 contact NO 3999 0702	2 P 3898 2080 3 P 3898 3080
	3 P	38U1 3050						
630 A / 2	2 P	38U1 2063	S3 type Black IP65 1433 3111 S3 type Red/Yellow IP65 1434 3111	S3 type Black IP65 1437 3111 S3 type Red/Yellow IP65 1438 3111	320 mm 1400 1232	2 P 3890 2U63 ⁽¹⁾ 3 P 3890 3U63 ⁽¹⁾	1 contact NC 3999 0701 1 contact NO 3999 0702	2 P 3898 2080 3 P 3898 3080
	3 P	38U1 3063						
800 A / 3	2 P	38U1 2080	S3 type Black IP65 1433 3111 S3 type Red/Yellow IP65 1434 3111	S3 type Black IP65 1437 3111 S3 type Red/Yellow IP65 1438 3111	320 mm 1400 1232	2 P 3890 2U63 ⁽¹⁾ 3 P 3890 3U63 ⁽¹⁾	1 contact NC 3999 0701 1 contact NO 3999 0702	2 P 3898 2080 3 P 3898 3080
	3 P	38U1 3080						
1250 A / 3	2 P	38U1 2120	S4 type Black IP65 1443 3111 S4 type Red/Yellow IP65 1444 3111	S3 type Black IP65 1437 3111 S3 type Red/Yellow IP65 1438 3111	320 mm 1400 1232	2 P 3890 2U12 ⁽¹⁾ 3 P 3890 3U12 ⁽¹⁾	1 contact NC 3999 0701 1 contact NO 3999 0702	2 P 3898 2120 3 P 3898 3120
	3 P	38U1 3120						

(1) Terminal shrouds for FUSERBLOC fitted fuse blown microswitch.

Accessories

FUSERBLOC for UR fuses type K/110

Terminal shrouds for FUSERBLOC fitted fuse blown microswitch

Use

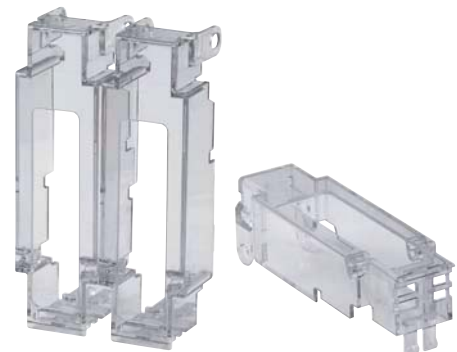
Protection against direct contact with live parts situated in the fuse compartment for FUSERBLOC fitted with UR fuses with fuse blown auxiliary contacts.

Rating (A)	Fuses ⁽³⁾	No. of poles	Accessories ⁽¹⁾	
			Reference	Option ⁽²⁾ Reference
250... 400	1* / 1	2 P	3999 2839	3990 2839
250... 400	1* / 1	3 P	3999 3839	3990 3839
500 ... 800	2 / 3	2 P	3899 2U63	
500 ... 800	2 / 3	3 P	3899 2U63	3890 3U63
1250	3	2 P	3899 2U12	3890 2U12
1250	3	3 P	3899 3U12	3890 3U12
500 ... 800	2 / 3	2 P		3890 2U63

(1) If ordered later.

(2) If ordered at the same time as the standard device.

(3) For the fuses: see "UR fuses 10 to 2000 A" page



access_221_a

Other accessories: see the FUSERBLOC pages