



### Construction

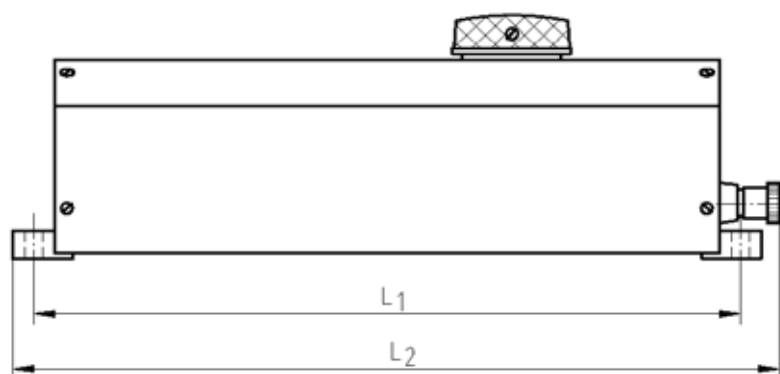
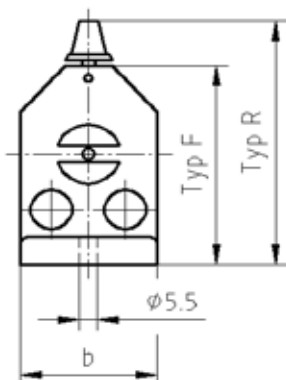
- Ceramic resistor carrier KER 410
- Resistance material CuNi44
- Special carbon contacts
- Case black enamelled

### Execution

- Single and multiple designs up to 6 resistors
- With 4 mm terminals
- On request: - with protective case
- with motor drive

The winding or stepped winding and therefore the maximal charge is individually calculated according to the application. The following tube sizes are available:

Size	I	II	III	IV	V	VI	VII	VIII	IX
Resistance range min.	R22	R33	R50	R75	1R3	1R9	2R5	3R2	4R0
max.	3K5	5K2	8K0	12K5	21K	30K	40K	51K	62K5
Tolerance	K ( $\pm 10\%$ ), tighter tolerances on request								
Charge	On request, according to the resistor winding								
Temperature coefficient	+ 40 - 80 ppm								
Max. surface temperature	350 °C								
Dielectric strength	2.5 kV AC, 50 Hz, 1 minute								
Dimensions $\varnothing$	30	30	30	45	45	45	60	60	60
I	120	150	200	200	300	400	400	500	600

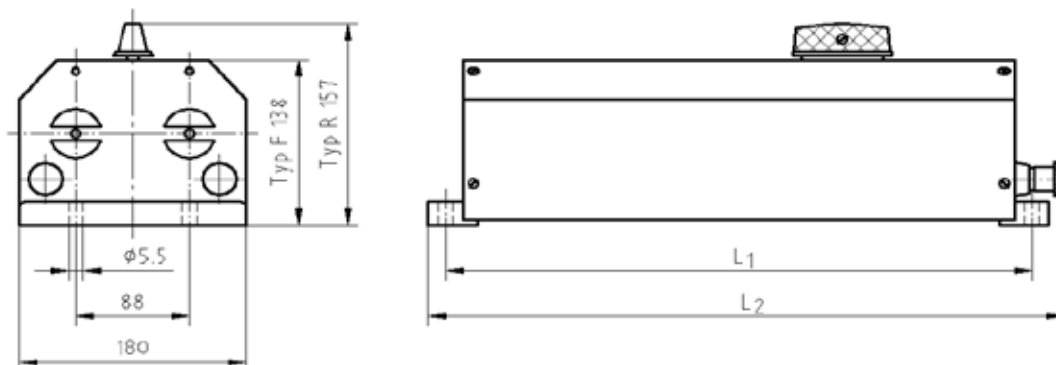


### Slide resistor type R with protective case IP 20

Size	I	II	III	IV	V	VI	VII	VIII	IX
b	60	60	60	75	75	75	92	92	92
L1	154	184	234	234	334	434	434	534	634
L2	170	200	250	250	350	450	450	550	650
Type F	97	97	97	115	115	115	138	138	138
Type R	116	116	116	134	134	134	157	157	157

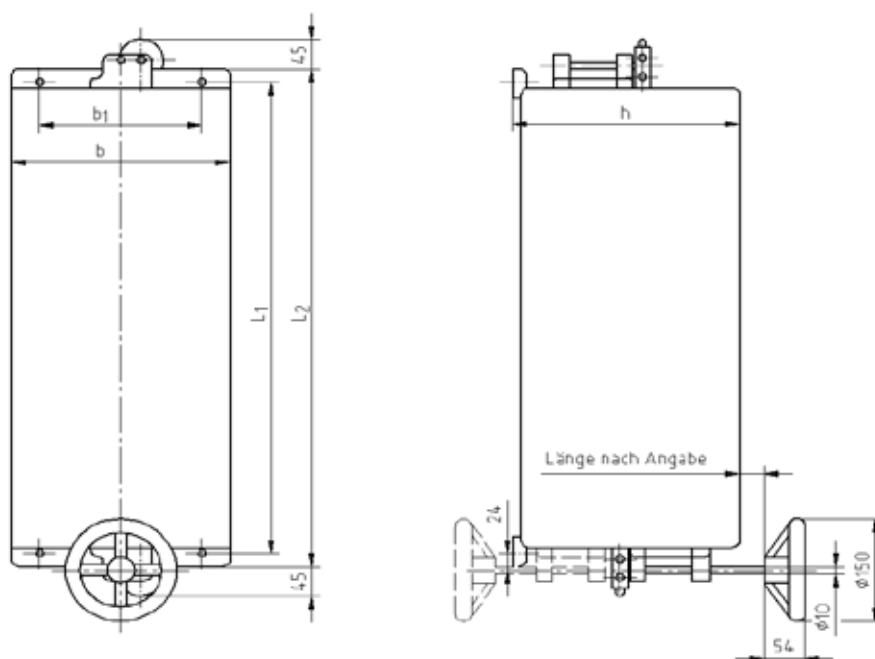
# Slide resistors

## Drawings multiple executions



### Double slide resistor type DR with protective case IP 20

Size	DV(60)	DVII	DVIII	DIX
L1	334	434	534	634
L2	350	450	550	650



### Multiple slide resistor

Size	triple-resistor			quadruple-resistor			sextuple-resistor		
	VII	VIII	IX	VII	VIII	IX	VII	VIII	IX
b	240	240	240	185	185	185	300	300	300
b1	152	152	152	88	88	88	200	200	200
L1	444	544	644	444	544	644	444	544	644
L2	460	560	660	460	560	660	460	560	660
h	230	230	230	260	260	260	270	270	270