

Switches

Standard Family Code LTHH10041EA02



Description

Contactor single interruption in air, electromagnetic control by starter power system plus saving resistor. Single state function.
Reference Standard IEC 60077, IEC 61992 and IEC 60947.

Type	LTE 4-600
Number of Poles	1 NO
Mounting Position	Horizontal - Vertical ¹
Control Voltage Rating U _c [Vdc]	24 - 36 - 48 - 72 - 110 ¹
Auxiliary Contact Blocks	3 (1 NO + 1 NC)
Block Type	PBX
Arc chute Material	Ceramic
Main Contacts tips Material	S6
Arcing Contacts tips Material	-
Electric Diagram	SC27219
Layout Drawing	D48630

¹ To be specified in order phase.

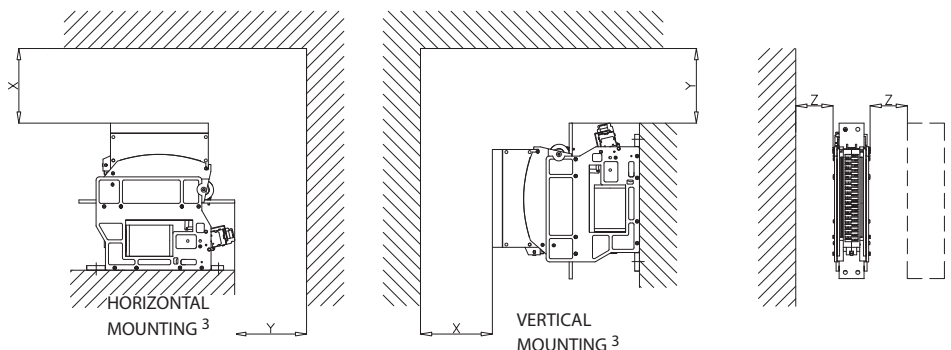
Electrical Characteristics

Rated Operational Voltage [V _{ac} / V _{dc}]	900 / 1800 / 3600 ¹
Max Operational Voltage [V _{ac} / V _{dc}]	4000
Rated Insulation Voltage [V]	4000
Conventional Free Air Thermal Current [A] at 40°C ²	900
Conventional Free Air Thermal Current [A] at 75°C ²	800
DC-Rated Operational Current (τ=15ms) [A]	
3600V	500
1800V	1050
900V	1540
DC-Maximum Breaking Capacity (τ=5ms) [A]	
3600V	650
1800V	1400
900V	1750
AC-Maximum Breaking Capacity (cosφ=0,8; 50Hz) [A]	
3600V	1000
1800V	1900
900V	2200
Component Category / Operational Frequency Class	A2 / C3
Short Circuit Withstand Capacity for 5ms [kA]	16
Critical Current Range [A]	<6(U > 1800V _{dc}) - <12(U > 3600V _{dc})
Fault Making Capacity [kA]	9.6
Blow Out Circuit Type	Indirect coil

² Device cabled according IEC 60947

Minimum clearances [mm] from:				
Rated Operational Voltage	X	Y	Z	
1800V	Metal Parts	120	50	50
	Plastic Parts	50	30	20

Minimum clearances [mm] from:				
Rated Operational Voltage	X	Y	Z	
3600V	Metal Parts	200	50	50
	Plastic Parts	100	50	30



³ OTHER MOUNTING POSITIONS NOT ALLOWED



Microelettrica Scientifica

Switches

Standard Family Code
LTHH10041EA02

Mechanical Characteristics

Mechanical Endurance (cycles)	2x10 ⁶
Shock and Vibrations (IEC61373)	Cat.1 - Class B
Weight [kg]	13

Control Circuit

Control Voltage Range	0.7U _c ÷ 1.25U _c
Power Consumption (U _c and T = 20°C) at Pick Up - when Holding [W]	300 - 50
Mechanical Operation Time (U _c and T = 20°C) when Closing - Opening [ms]	100 - 45
Time Constant (L/R) at Pick Up - when Holding [ms]	20 - 36
Electrical Connections	Fast-On 6.35x0.8mm

Auxiliary Contacts

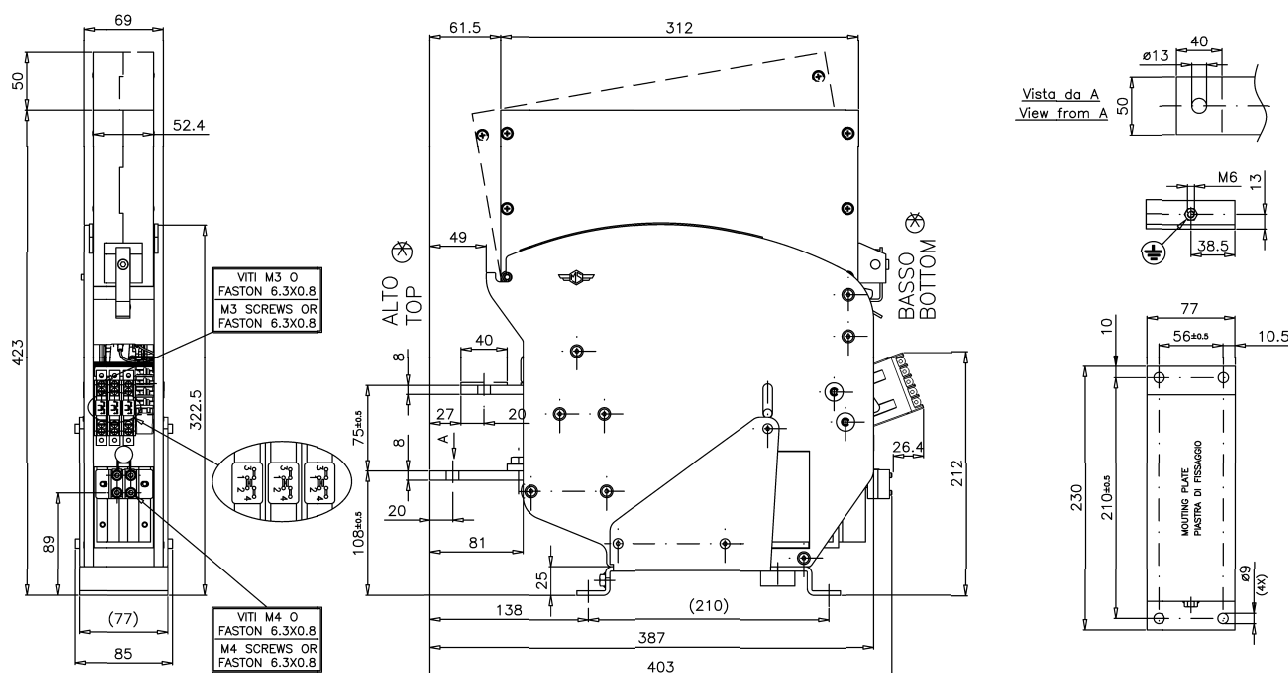
Tips material	Silver Alloy
Rated Operational Voltage [V _{ac} / V _{dc}]	250
Rated Current [A]	10
Minimum Switching Current at 16V _{dc} [mA] ⁴	20
Electrical Connections	Fast-On 6.35x0.8mm

Environmental Conditions

Stock Temperature Range	-50°C ÷ +85°C
Operational Temperature Range	Tx (-40°C ÷ +75°C) ⁵
Pollution Degree - Overvoltage Category (EN 50124-1)	PD3 - OV3
Max Altitude without Performance Derating [m]	2000

⁴ In clean and dry conditions

⁵ In according to IEC50125-1



Microelettrica Scientifica S.p.A. - 20090 Buccinasco (MI) - V. Lucania, 2 - Italy
Tel. +39 02 575731 - Fax +39 02 57510940 - E-Mail: info@microelettrica.com

Rev.10 10/2016