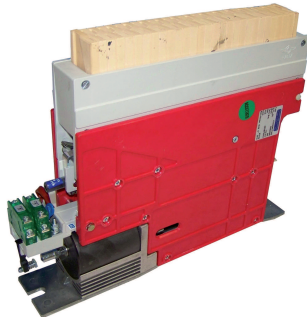


# Switches

## Standard Family Code LTHH02501\*A02



### Description

Contactor single interruption in air, electromagnetic control by full power coil. Single state functioning.

Reference Standard IEC 60077, IEC 61992 and IEC 60947.

Type	LTHH 250
Number of Poles	1 NO
Mounting Position	Horizontal - Vertical <sup>1</sup>
Control Voltage Rating Uc [Vdc]	24 - 36 - 48 - 72 - 110 <sup>1</sup>
Auxiliary Contact Blocks	2 (1 NO + 1 NC)
Block Type	PBX
Arc chute Material	Ceramic
Main Contacts tips Material	S6
Arcing Contacts tips Material	S6
Electric Diagram	-
Layout Drawing	D49080

<sup>1</sup> To be specified in order phase.

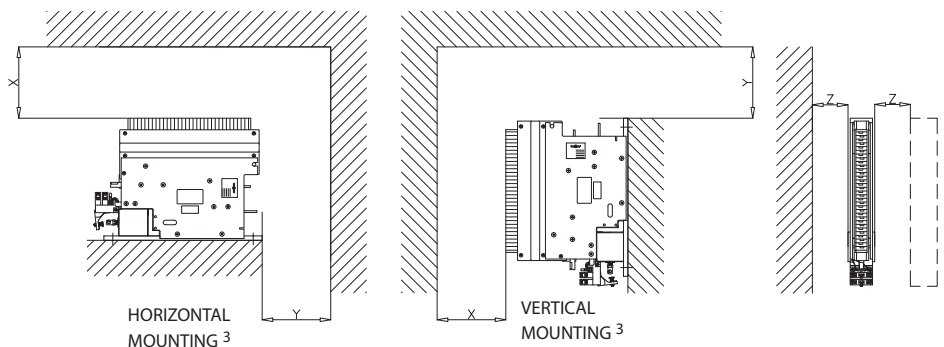
### Electrical Characteristics

Rated Operational Voltage [ $V_{ac}$ / $V_{dc}$ ]	900 / 1800 / 3600 <sup>1</sup>
Max Operational Voltage [ $V_{ac}$ / $V_{dc}$ ]	4000
Rated Insulation Voltage [V]	4000
Conventional Free Air Thermal Current [A] at 40°C <sup>2</sup>	300
Conventional Free Air Thermal Current [A] at 75°C <sup>2</sup>	250
DC-Rated Operational Current ( $\tau=15ms$ ) [A]	
3600V	270
1800V	450
900V	900
DC-Maximum Breaking Capacity ( $\tau=5ms$ ) [A]	
3600V	350
1800V	580
900V	1160
AC-Maximum Breaking Capacity ( $\cos\phi=0,8$ ; 50Hz) [A]	
3600V	400
1800V	800
900V	1160
Component Category / Operational Frequency Class	A2 / C3
Short Circuit Withstand Capacity for 5ms [kA]	6
Critical Current Range [A]	NONE
Fault Making Capacity [kA]	3.6
Blow Out Circuit Type	Indirect coil with Arcing Contact

<sup>2</sup> Device cabled according IEC 60947

Minimum clearances [mm] from:				
Rated Operational Voltage	X	Y	Z	
1800V	Metal Parts	120	50	50
	Plastic Parts	50	30	20

Minimum clearances [mm] from:				
Rated Operational Voltage	X	Y	Z	
3600V	Metal Parts	200	50	50
	Plastic Parts	100	50	30



<sup>3</sup> OTHER MOUNTING POSITIONS NOT ALLOWED



Microelettrica Scientifica

# Switches

Standard Family Code  
LTHH02501\*A02

## Mechanical Characteristics

Mechanical Endurance (cycles)	2x10 <sup>6</sup>
Shock and Vibrations (IEC61373)	Cat.1 - Class B
Weight [kg]	8.5

## Control Circuit

Control Voltage Range	0.7U <sub>c</sub> ÷ 1.25U <sub>c</sub>
Power Consumption (U <sub>c</sub> and T = 20°C) at Pick Up - when Holding [W]	35 - 35
Mechanical Operation Time (U <sub>c</sub> and T = 20°C) when Closing - Opening [ms]	100 - 25
Time Constant (L/R) at Pick Up - when Holding [ms]	30 - 80
Electrical Connections	Fast-On 6.35x0.8mm

## Auxiliary Contacts

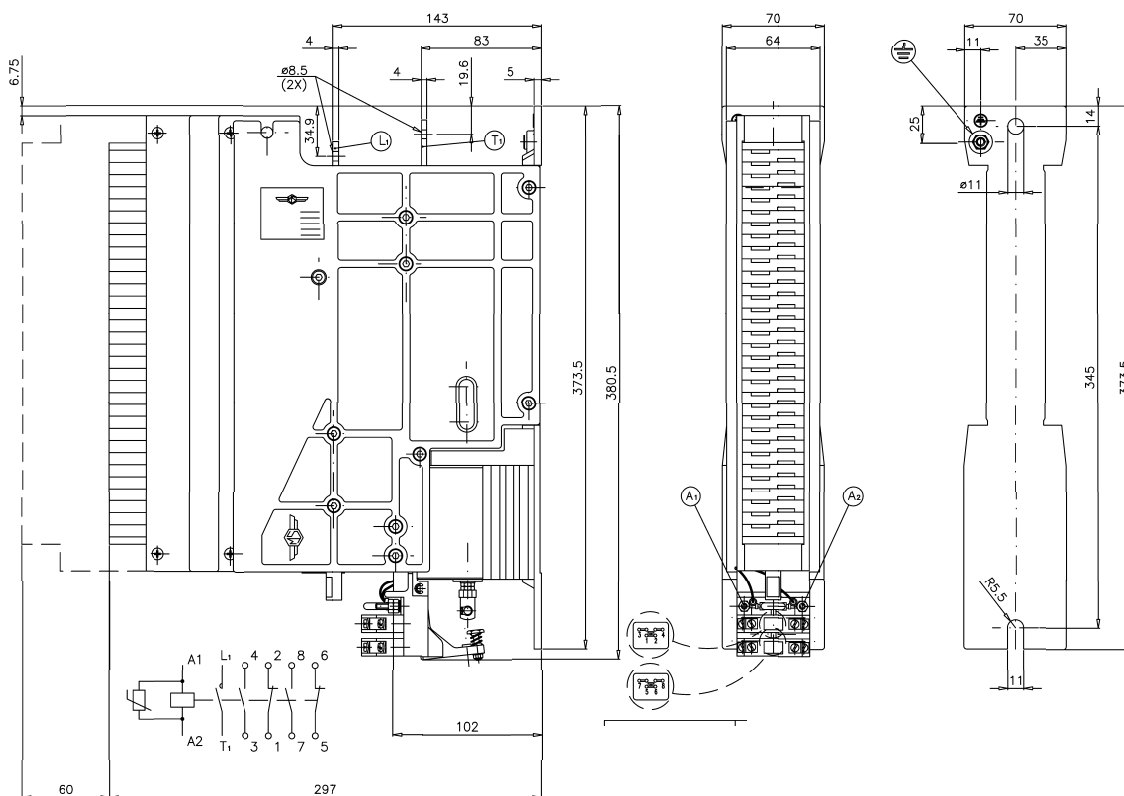
Tips material	Silver Alloy
Rated Operational Voltage [V <sub>ac</sub> / V <sub>dc</sub> ]	250
Rated Current [A]	10
Minimum Switching Current at 16V <sub>dc</sub> [mA] <sup>4</sup>	20
Electrical Connections	Fast-On 6.35x0.8mm

## Environmental Conditions

Stock Temperature Range	-50°C ÷ +85°C
Operational Temperature Range	Tx (-40°C ÷ +75°C) <sup>5</sup>
Pollution Degree - Overvoltage Category (EN 50124-1)	PD3 - OV3
Max Altitude without Performance Derating [m]	2000

<sup>4</sup> In clean and dry conditions

<sup>5</sup> In according to IEC50125-1



**KNORR-BREMSE**



*Microelettrica Scientifica*

Microelettrica Scientifica S.p.A. - 20090 Buccinasco (MI) - V. Lucania, 2 - Italy  
Tel. +39 02 575731 - Fax +39 02 57510940 - E-Mail: info@microelettrica.com