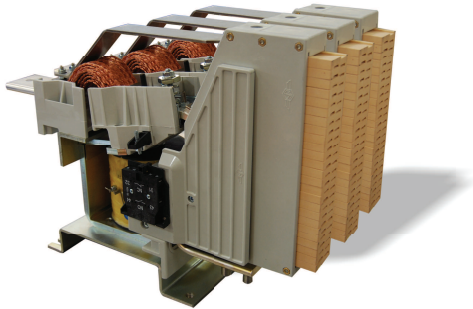


# Switches

## Standard Family Code LTHS15003\*A02



### Description

Contactor with single interruption in air, electromagnetic control by starter power system plus saving resistor. Single state functioning.  
Reference Standard IEC 60077, IEC 61992 and IEC 60947.

Type	LTHS 1500
Number of Poles	3 NO
Mounting Position	Horizontal - Vertical <sup>1</sup>
Control Voltage Rating U <sub>c</sub> [Vdc]	24 - 36 - 48 - 72 - 110
Auxiliary Contact Blocks	2 (1 NO + 1 NC)
Block Type	SL
Arc chute Material	Ceramic
Main Contacts tips Material	S6
Arcing Contacts tips Material	-
Electric Diagram	SC27483
Layout Drawing	D53176

<sup>1</sup> To be specified in order phase.

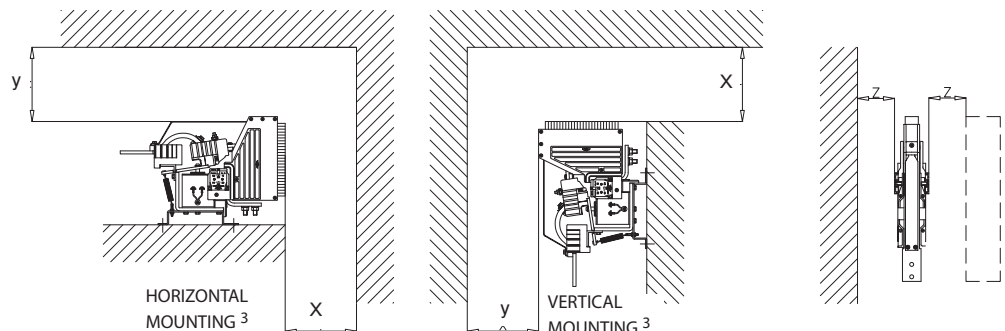
### Electrical Characteristics

Rated Operational Voltage [V <sub>ac</sub> ]	900 / 1800 <sup>1</sup>
Max Operational Voltage [V <sub>ac</sub> ]	2000
Rated Insulation Voltage [V]	2000
Conventional Free Air Thermal Current [A] at 40°C <sup>2</sup>	1350
Conventional Free Air Thermal Current [A] at 75°C <sup>2</sup>	1250
AC-Maximum Breaking Capacity (cosφ=0,8; 50Hz) [A]	
1800V	2300
900	5000
Component Category / Operational Frequency Class	A2 / C3
Short Circuit Withstand Capacity for 5ms [kA]	16
Critical Current Range [A]	None for AC; <50 (U > 1500V <sub>dc</sub> )
Fault Making Capacity [kA]	9.6
Blow Out Circuit Type	Indirect coil

<sup>2</sup> Device cabled according IEC 60947

Minimum clearances [mm] from:				
Rated Operational Voltage	X	Y	Z	
900V	Metal Parts	100	50	30
	Plastic Parts	50	30	20

Minimum clearances [mm] from:				
Rated Operational Voltage	X	Y	Z	
1800V	Metal Parts	120	50	40
	Plastic Parts	50	30	20



<sup>3</sup> OTHER MOUNTING POSITIONS NOT ALLOWED



Microelettrica Scientifica

# Switches

Standard Family Code  
LTHS15003\*A02

## Mechanical Characteristics

Mechanical Endurance (cycles)	2x10 <sup>6</sup>
Shock and Vibrations (IEC61373)	Cat.1 - Class B
Weight [kg]	31

## Control Circuit

Control Voltage Range	0.7U <sub>c</sub> ÷ 1.25U <sub>c</sub>
Power Consumption (U <sub>c</sub> and T = 20°C) at Pick Up - when Holding [W]	150 - 70
Mechanical Operation Time (U <sub>c</sub> and T = 20°C) when Closing - Opening [ms]	200 - 60
Time Constant (L/R) at Pick Up - when Holding [ms]	190 - 230
Electrical Connections	Fast-On 6.35x0.8mm

## Auxiliary Contacts

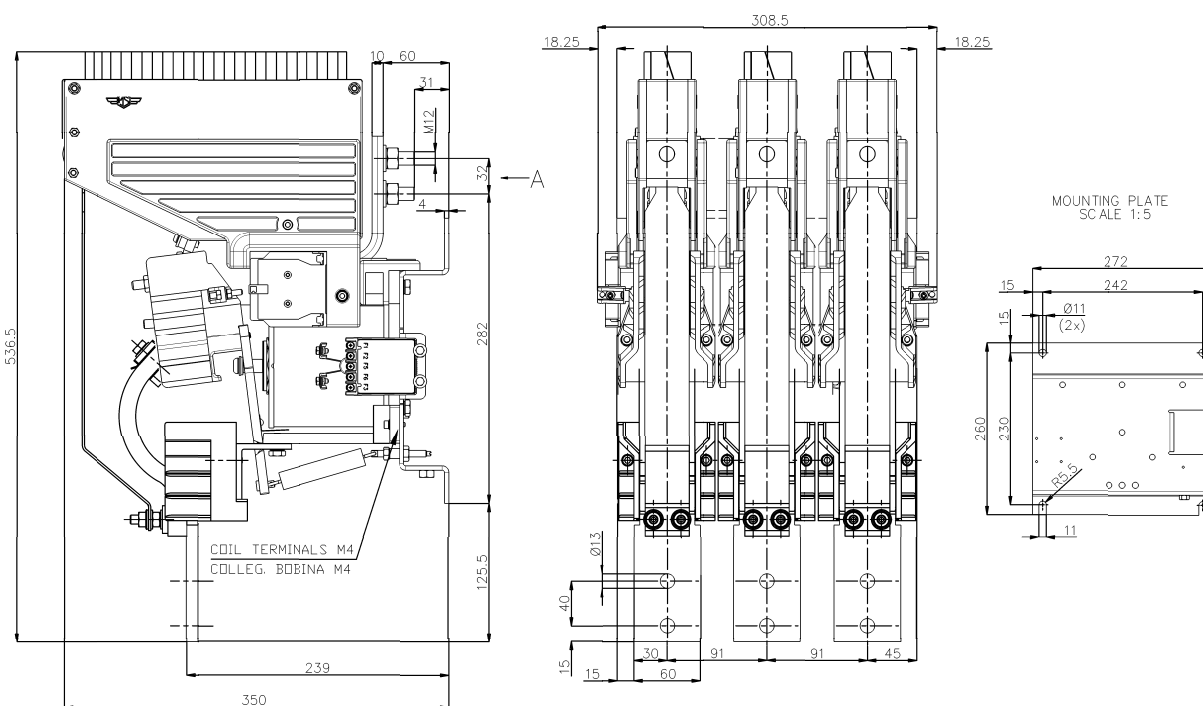
Tips material	Solid Silver
Rated Operational Voltage [V <sub>ac</sub> / V <sub>dc</sub> ]	250
Rated Current [A]	10
Minimum Switching Current at 16V <sub>dc</sub> [mA]	20
Electrical Connections	Fast-On 6.35x0.8mm

## Environmental Conditions

Stock Temperature Range	-50°C ÷ +85°C
Operational Temperature Range	Tx (-40°C ÷ +75°C) <sup>5</sup>
Pollution Degree - Overvoltage Category (EN 50124-1)	PD3 - OV3
Max Altitude without Performance Derating [m]	2000

<sup>4</sup> In clean and dry conditions

<sup>5</sup> In according to IEC50125-1



Microelettrica Scientifica S.p.A. - 20090 Buccinasco (MI) - V. Lucania, 2 - Italy  
Tel. +39 02 575731 - Fax +39 02 57510940 - E-Mail: info@microelettrica.com