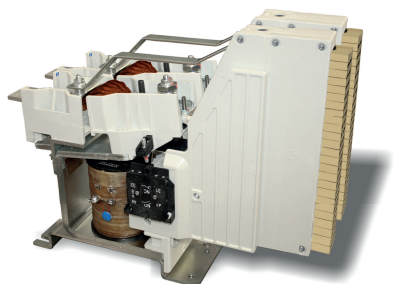


Switches

Standard Family Code LTHS12502SA02



Description

Contactors with single interruption in air, electromagnetic control by full power coil. Single state functioning.

Reference Standard IEC 60077, IEC 61992 and IEC 60947.

Type	LTHS 1250
Number of Poles	2 NO
Connection between poles	Single, series or parallel ¹
Mounting Position	Horizontal - Vertical ¹
Control Voltage Rating Uc [Vdc]	24 - 36 - 48 - 72 - 110 ¹
Auxiliary Contact Blocks	2 x (1 NO + 1 NC)
Block Type	SL
Arc chute Material	Ceramic
Main Contacts tips Material	S6
Arcing Contacts tips Material	-
Electric Diagram	-
Layout Drawing	D48542

¹ To be specified in order phase.

Electrical Characteristics

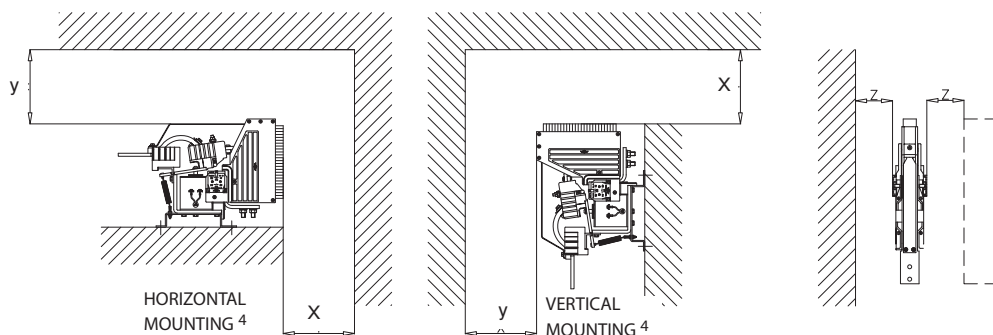
Rated Operational Voltage [V_{ac} / V_{dc}]	900 / 1800 ¹		
Max Operational Voltage [V_{ac} / V_{dc}]	2000		
Rated Insulation Voltage [V]	2000		
	Single Pole	Series Connected ³	Parallel Connected ³
Conventional Free Air Thermal Current [A] at 40°C ²	1300	1300	2600
Conventional Free Air Thermal Current [A] at 75°C ²	1200	1200	2400
DC-Rated Operational Current ($\tau=15ms$) [A]			
1800V	1040	2000	1040
900V	2080	4000	2080
DC-Maximum Breaking Capacity ($\tau=5ms$) [A]			
1800V	1415	2500	1415
900V	2750	5000	2750
AC-Maximum Breaking Capacity ($\cos\phi=0,8$; 50Hz) [A]			
1800V	2200	3300	2200
900V	4500	6600	4500
Short Circuit Withstand Capacity for 5ms [kA]	16	16	24
Critical Current Range [A]	None	None	None
Fault Making Capacity [kA]	9.6	9.6	14.4
Component Category / Operational Frequency Class	A2 / C3		
Blow Out Circuit Type	Indirect coil		

² Device cabled according IEC 60947

³ Series or parallel bar connections are available under request

Minimum clearances [mm] from:				
Rated Operational Voltage	X	Y	Z	
900V	Metal Parts	100	50	30
	Plastic Parts	50	30	20

Minimum clearances [mm] from:				
Rated Operational Voltage	X	Y	Z	
1800V	Metal Parts	120	50	40
	Plastic Parts	50	30	20



⁴ OTHER MOUNTING POSITIONS NOT ALLOWED



Microelettrica Scientifica

