

# Switches

## Standard Family Code LTHS08002\*A03



### Description

Contactors with double interruption in air, electromagnetic control by full power coil. Single state functioning.

Reference Standard IEC 60077, IEC 61992 and IEC 60947.

Type	LTHS 800
Number of Poles	2 NO
Connection between poles	Single, series or parallel
Mounting Position	Horizontal - Vertical <sup>1</sup>
Control Voltage Rating U <sub>c</sub> [Vdc]	24 - 36 - 48 - 72 - 110 <sup>1</sup>
Auxiliary Contact Blocks	2 x (1 NO + 1 NC)
Block Type	SL
Arc chute Material	Ceramic
Main Contacts tips Material	S6
Arcing Contacts tips Material	S6
Electric Diagram	-
Layout Drawing	D48540

<sup>1</sup> To be specified in order phase.

### Electrical Characteristics

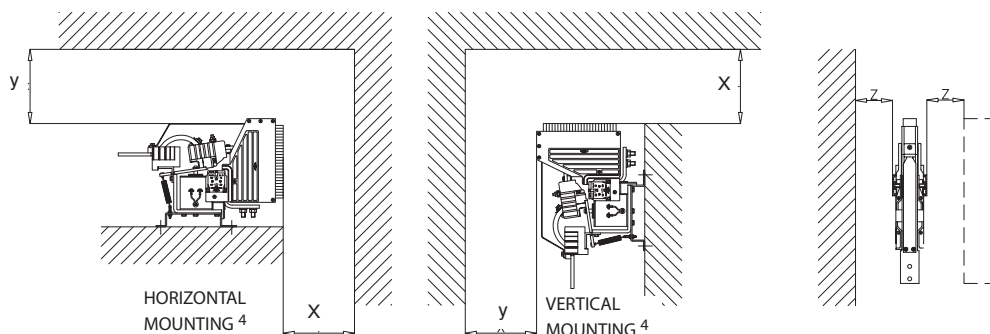
Rated Operational Voltage [V <sub>ac</sub> / V <sub>dc</sub> ]	900 / 1800 <sup>1</sup>		
Max Operational Voltage [V <sub>ac</sub> / V <sub>dc</sub> ]	2000		
Rated Insulation Voltage [V]	2000		
	Single Pole	Series Connected <sup>3</sup>	Parallel Connected <sup>3</sup>
Conventional Free Air Thermal Current [A] at 40°C <sup>2</sup>	920	920	1840
Conventional Free Air Thermal Current [A] at 75°C <sup>2</sup>	800	800	1600
DC-Rated Operational Current (τ=15ms) [A]			
1800V	750	1500	750
900V	1540	3000	1540
DC-Maximum Breaking Capacity (τ=5ms) [A]			
1800V	800	1750	800
900V	1750	3500	1750
AC-Maximum Breaking Capacity (cosφ=0,8; 50Hz) [A]			
1800V	1150	2300	1150
900V	2300	4600	2300
Short Circuit Withstand Capacity for 5ms [kA]	12	12	20
Critical Current Range [A]	None	None	None
Fault Making Capacity [kA]	7.2	7.2	12
Component Category / Operational Frequency Class	A2 / C3		
Blow Out Circuit Type	Indirect coil with arcing contact		

<sup>2</sup> Device cabled according IEC 60947

<sup>3</sup> Series or parallel bar connections are available under request

Minimum clearances [mm] from:				
Rated Operational Voltage	X	Y	Z	
900V	Metal Parts	100	50	30
	Plastic Parts	50	30	20

Minimum clearances [mm] from:				
Rated Operational Voltage	X	Y	Z	
1800V	Metal Parts	120	50	40
	Plastic Parts	50	30	20



<sup>4</sup> OTHER MOUNTING POSITIONS NOT ALLOWED



Microelettrica Scientifica

# Switches

Standard Family Code  
LTHS08002\*A03

## Mechanical Characteristics

Mechanical Endurance (cycles)	2x10 <sup>6</sup>
Shock and Vibrations (IEC61373)	Cat.1 - Class B
Weight [kg]	28

## Control Circuit

Control Voltage Range	0.7U <sub>c</sub> ÷ 1.25U <sub>c</sub>
Power Consumption (U <sub>c</sub> and T = 20°C) at Pick Up - when Holding [W]	60 - 60
Mechanical Operation Time (U <sub>c</sub> and T = 20°C) when Closing - Opening [ms]	280 - 45
Time Constant (L/R) at Pick Up - when Holding [ms]	193.5 - 215
Electrical Connections	Fast-On 6.35x0.8mm

## Auxiliary Contacts

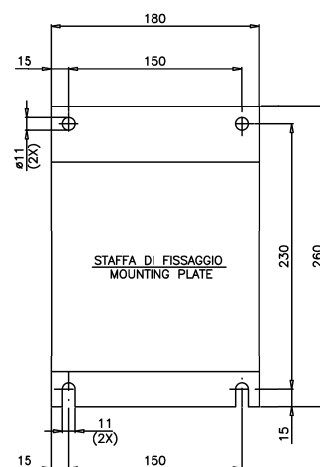
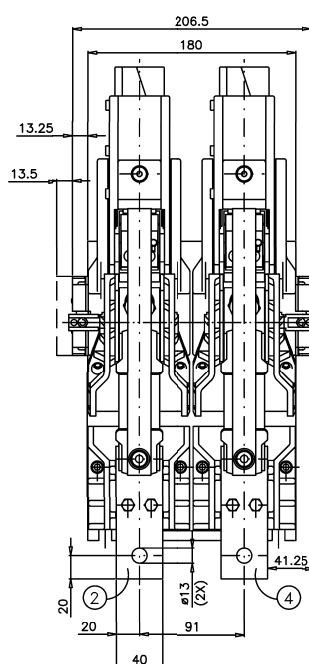
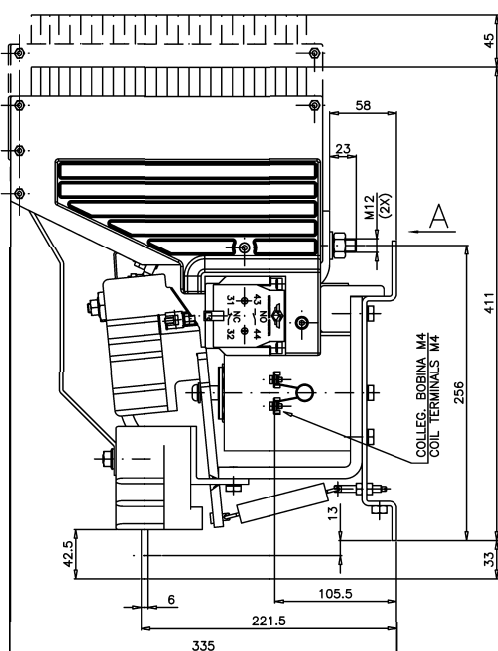
Tips material	Solid Silver
Rated Operational Voltage [V <sub>ac</sub> / V <sub>dc</sub> ]	250
Rated Current [A]	10
Minimum Switching Current at 16V <sub>dc</sub> [mA] <sup>5</sup>	20
Electrical Connections	Fast-On 6.35x0.8mm

## Environmental Conditions

Stock Temperature Range	-50°C ÷ +85°C
Operational Temperature Range	Tx (-40°C ÷ +75°C) <sup>6</sup>
Pollution Degree - Overvoltage Category (EN 50124-1)	PD3 / OV3
Max Altitude without Performance Derating [m]	2000

<sup>5</sup> In clean and dry conditions

<sup>6</sup> In according to IEC50125-1



Microelettrica Scientifica S.p.A. - 20090 Buccinasco (MI) - V. Lucania, 2 - Italy  
Tel. +39 02 575731 - Fax +39 02 57510940 - E-Mail: info@microelettrica.com