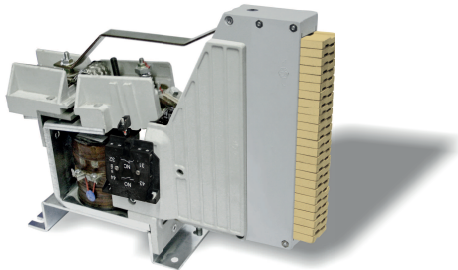


# Switches

## Standard Family Code LTHS08001\*A03



### Description

Contactors with single interruption in air, electromagnetic control by full power coil. Single state functioning.

Reference Standard IEC 60077, IEC 61992 and IEC 60947.

Type	LTHS 800
Number of Poles	1 NO
Mounting Position	Horizontal - Vertical <sup>1</sup>
Control Voltage Rating U <sub>c</sub> [Vdc]	24 - 36 - 48 - 72 - 110 <sup>1</sup>
Auxiliary Contact Blocks	2 x ( 1NO + 1 NC)
Block Type	SL
Arc chute Material	Ceramic
Main Contacts tips Material	S6
Arcing Contacts tips Material	S6
Electric Diagram	-
Layout Drawing	D48539

<sup>1</sup> To be specified in order phase.

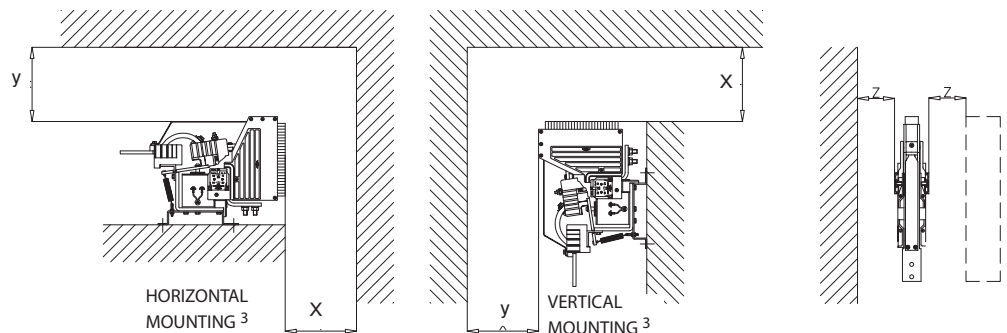
### Electrical Characteristics

Rated Operational Voltage [V <sub>ac</sub> / V <sub>dc</sub> ]	900 / 1800 <sup>1</sup>
Max Operational Voltage [V <sub>ac</sub> / V <sub>dc</sub> ]	2000
Rated Insulation Voltage [V]	2000
Conventional Free Air Thermal Current [A] at 40°C <sup>2</sup>	920
Conventional Free Air Thermal Current [A] at 75°C <sup>2</sup>	800
DC-Rated Operational Current (τ=15ms) [A]	
1800V	750
900V	1540
DC-Maximum Breaking Capacity (τ=5ms) [A]	
1800V	800
900V	1750
AC-Maximum Breaking Capacity (cosφ=0,8; 50Hz) [A]	
1800V	1150
900V	2300
Component Category / Operational Frequency Class	A2 / C3
Short Circuit Withstand Capacity for 5ms [kA]	12
Critical Current Range [A]	None
Fault Making Capacity [kA]	7.2
Blow Out Circuit Type	Indirect coil with arcing contact

<sup>2</sup> Device cabled according IEC 60947

Minimum clearances [mm] from:				
Rated Operational Voltage	X	Y	Z	
900V	Metal Parts	100	50	30
	Plastic Parts	50	30	20

Minimum clearances [mm] from:				
Rated Operational Voltage	X	Y	Z	
1800V	Metal Parts	120	50	40
	Plastic Parts	50	30	20



<sup>3</sup> OTHER MOUNTING POSITIONS NOT ALLOWED



Microelettrica Scientifica

# Switches

Standard Family Code  
LTHS08001\*A03

## Mechanical Characteristics

Mechanical Endurance (cycles)	2x10 <sup>6</sup>
Shock and Vibrations (IEC61373)	Cat.1 - Class B
Weight [kg]	15

## Control Circuit

Control Voltage Range	0.7U <sub>c</sub> ÷ 1.25U <sub>c</sub>
Power Consumption (U <sub>c</sub> and T = 20°C) at Pick Up - when Holding [W]	50 - 50
Mechanical Operation Time (U <sub>c</sub> and T = 20°C) when Closing - Opening [ms]	210 - 40
Time Constant (L/R) at Pick Up - when Holding [ms]	170 - 190
Electrical Connections	Fast-On 6.35x0.8mm

## Auxiliary Contacts

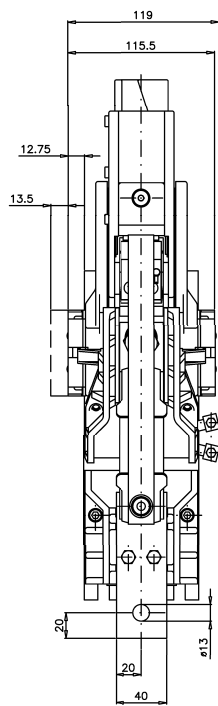
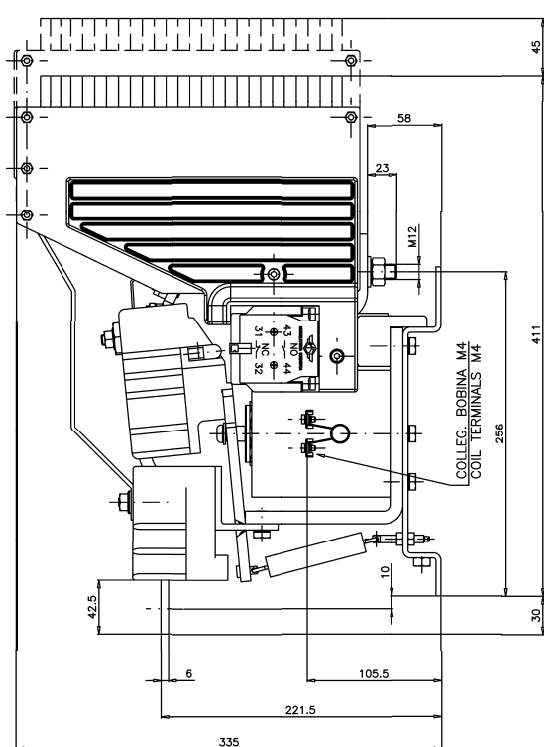
Tips material	Solid Silver
Rated Operational Voltage [V <sub>ac</sub> / V <sub>dc</sub> ]	250
Rated Current [A]	10
Minimum Switching Current at 16V <sub>dc</sub> [mA] <sup>4</sup>	10
Electrical Connections	Fast-On 6.35x0.8mm

## Environmental Conditions

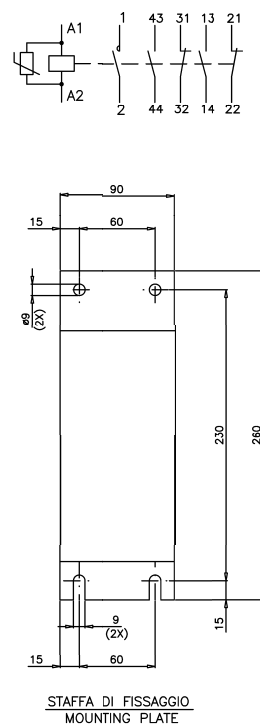
Stock Temperature Range	-50°C ÷ +85°C
Operational Temperature Range	Tx (-40°C ÷ +75°C) <sup>5</sup>
Pollution Degree - Overvoltage Category (EN 50124-1)	PD3 - OV3
Max Altitude without Performance Derating [m]	2000

<sup>4</sup> In clean and dry conditions

<sup>5</sup> In according to IEC50125-1



WEIGHT 15 Kg PESO 15 Kg



**KNORR-BREMSE**



*Microelettrica Scientifica*

Microelettrica Scientifica S.p.A. - 20090 Buccinasco (MI) - V. Lucania, 2 - Italy  
Tel. +39 02 575731 - Fax +39 02 57510940 - E-Mail: info@microelettrica.com