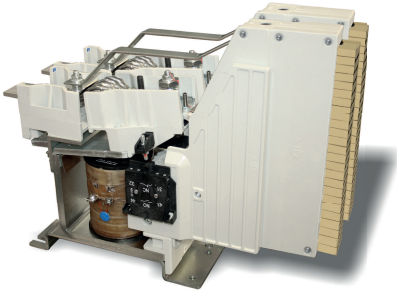


Switches

Standard Family Code LTHS06502*A02



Description

Contactors with single interruption in air, electromagnetic control by full power coil. Single state functioning.
Reference standard IEC 60077.

Type	LTHS 650
Number of Poles	2 NO
Connection between poles	Single, series or parallel
Mounting Position	Horizontal - Vertical ¹
Control Voltage Rating U _c [Vdc]	24 - 36 - 48 - 72 - 110 ¹
Auxiliary Contact Blocks	2 x (1 NO + 1 NC)
Block Type	SL
Arc chute Material	Polyester Resin - Ceramic ¹
Main Contacts tips Material	S6
Arcing Contacts tips Material	-
Electric Diagram	-
Layout Drawing	D48539

¹ To be specified in order phase.

Electrical Characteristics

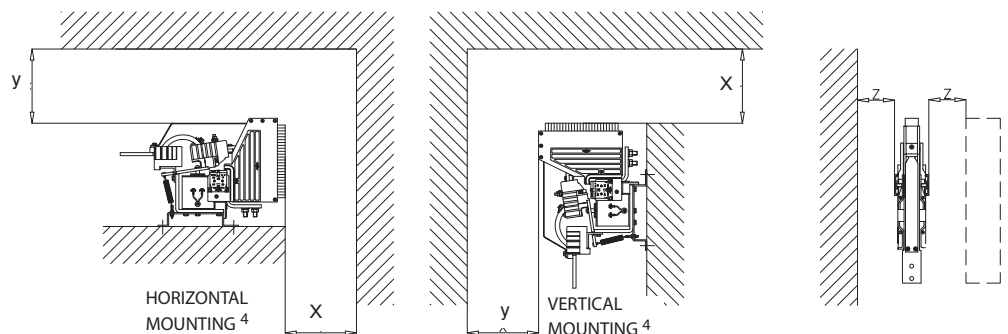
Rated Operational Voltage [V _{ac} / V _{dc}]	900 / 1800 ¹					
Max Operational Voltage [V _{ac} / V _{dc}]	2000					
Rated Insulation Voltage [V]	2000					
	Single		Series Connected ³		Parallel Connected ³	
Arc chute Type	Polyester Resin	Ceramic	Polyester Resin	Ceramic	Polyester Resin	Ceramic
Conventional Free Air Thermal Current [A] at 40°C ²	700	700	700	700	1400	1400
Conventional Free Air Thermal Current [A] at 75°C ²	650	650	650	650	1300	1300
DC-Rated Operational Current (τ=15ms) [A]						
1800V	500	750	1000	1500	500	750
900V	1080	1540	1330	3000	1080	1540
DC-Maximum Breaking Capacity (τ=5ms) [A]						
1800V	625	800	1250	1750	625	800
900V	1250	1750	2500	3500	1250	1750
AC-Maximum Breaking Capacity (cosφ=0,8; 50Hz) [A]						
1800V	830	1150	1650	2300	830	1150
900V	1650	2300	3300	4600	1650	2300
Short Circuit Withstand Capacity for 5ms [kA]	12	12	12	12	20	20
Critical Current Range [A]	< 50 (U > 1500V _{dc})	< 50 (U > 1500V _{dc})	< 25 (U > 1500V _{dc})	< 25 (U > 1500V _{dc})	< 50 (U > 1500V _{dc})	< 50 (U > 1500V _{dc})
Fault Making Capacity [kA]	7.2	7.2	7.2	7.2	12	12
Component Category / Operational Frequency Class	A2 / C3					
Blow Out Circuit Type	Indirect					

² Device cabled according IEC 60947

³ Series or parallel bar connections are available under request

Minimum clearances [mm] from:			
Rated Operational Voltage	X	Y	Z
900V	Metal Parts	100	50 30
	Plastic Parts	50	30 20

Minimum clearances [mm] from:			
Rated Operational Voltage	X	Y	Z
1800V	Metal Parts	120	50 40
	Plastic Parts	50	30 20



⁴ OTHER MOUNTING POSITIONS NOT ALLOWED



Microelettrica Scientifica

Switches

Standard Family Code
LTHS06502*A02

Mechanical Characteristics

Mechanical Endurance (cycles)	2x10 ⁶
Shock and Vibrations (IEC61373)	Cat.1 - Class B
Weight [kg]	25.5

Control Circuit

Control Voltage Range	0.7U _c ÷ 1.25U _c
Power Consumption (U _c and T = 20°C) at Pick Up - when Holding [W]	60 - 60
Mechanical Operation Time (U _c and T = 20°C) when Closing - Opening [ms]	230 - 45
Time Constant (L/R) at Pick Up - when Holding [ms]	190 - 215
Electrical Connections	Fast-On 6.35x0.8mm

Auxiliary Contacts

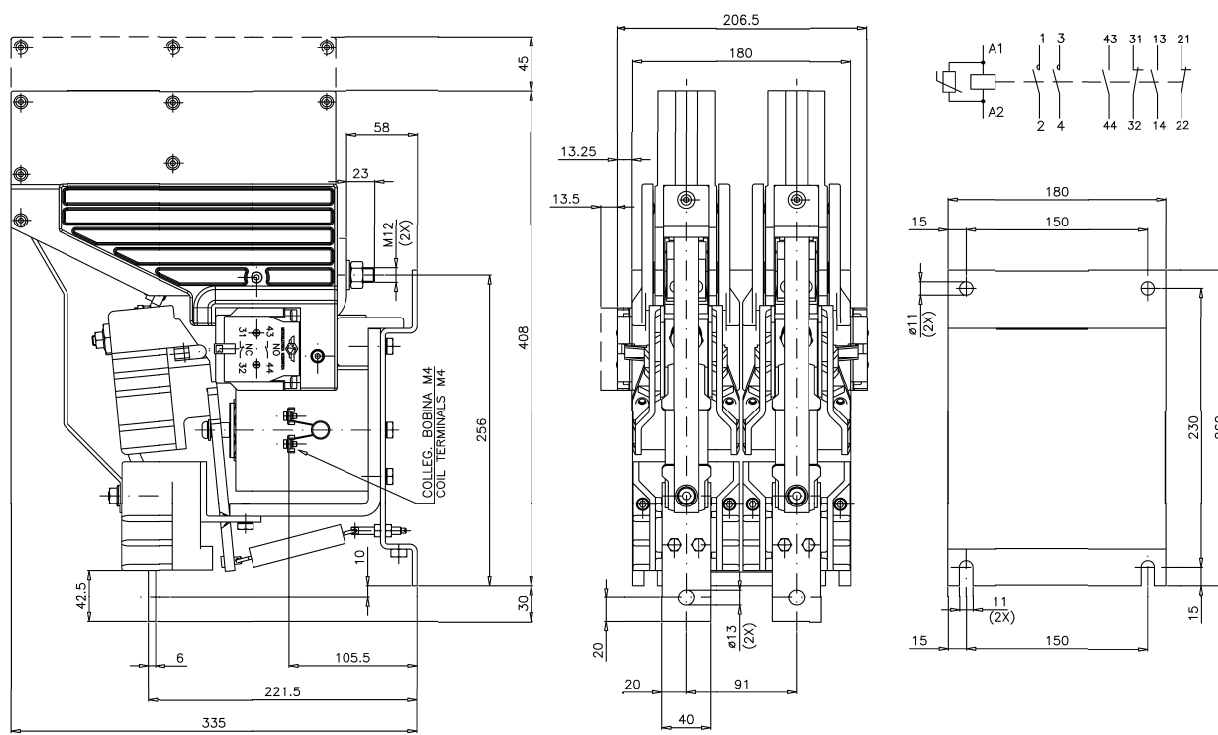
Tips material	Solid Silver
Rated Operational Voltage [V _{ac} / V _{ac}]	250
Rated Current [A]	10
Minimum Switching Current at 16V _{ac} [mA] ⁵	20
Electrical Connections	Fast-On 6.35x0.8mm

Environmental Conditions

Stock Temperature Range	-50°C ÷ +85°C
Operational Temperature Range	Tx (-40°C ÷ +75°C) ⁶
Pollution Degree - Overvoltage Category (EN 50124-1)	PD3 / OV3
Max Altitude without Performance Derating [m]	2000

⁵ In clean and dry conditions

⁶ In according to IEC50125-1



Microelettrica Scientifica S.p.A. - 20090 Buccinasco (MI) - V. Lucania, 2 - Italy
Tel. +39 02 575731 - Fax +39 02 57510940 - E-Mail: info@microelettrica.com