

Switches

LTHS01251*A00

Type	LTHS 125
Number of Poles	1 NO
Mounting Position	Horizontal - vertical
Control Voltage Rating [V _{dc}]	24 ÷ 220
Auxiliary Contact Blocks	Max 4 (1 NO + 1 NC or 2 NO)
Block Type*	SK - SL - LP - RK
Arc chute Material	Polyester Resin
Contact tips material*	S6

* For details please refer to dedicated technical note

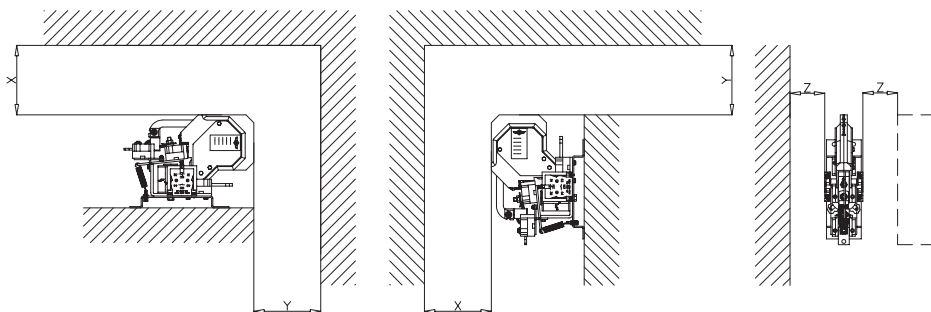
Description

Contact with single interruption in air, electromagnetic control by full power coil. Single state functioning.
Reference Standard IEC 60077.

Electrical Characteristics

Rated Operational Voltage [V _{ac} / V _{dc}]	750
Max Operational Voltage [V _{ac} / V _{dc}]	1000
Rated Insulation Voltage [V]	1000
Conventional Free Air Thermal Current [A] at 75°C	125
DC-Rated Operational Current (τ=15ms) [A]	
750V	120
400V	230
DC-Maximum Breaking Capacity (τ=15ms) [A]	
750V	200
400V	380
AC-Maximum Breaking Capacity (cosφ=0,8; 50Hz) [A]	
750V	220
400V	400
Component Category / Operational Frequency Class	A2 / C3
Short Circuit Withstand Capacity for 5ms [kA]	5
Critical Current Range [A]	< 5 (U > 750V _{dc})
Fault Making Capacity [kA]	3
Blow Out Circuit Type	Direct 3 turns

Minimum clearances
from metal parts [mm]
X = 90; Y = 90 ; Z = 20



Microelettrica Scientifica

Switches

LTHS01251*A00

Mechanical Characteristics

Mechanical Endurance (cycles)	2x10 ⁶
Shock and Vibrations (IEC61373)	Cat.1 - Class B
Weight [kg]	3.5

Control Circuit

Control Voltage Range	0.7U _c ÷ 1.25U _c
Power Consumption (U _c and T = 20°C) at Pick Up - when Holding [W]	20 - 20
Mechanical Operation Time (U _c and T = 20°C) when Closing - Opening [ms]	75 - 25
Time Constant (L/R) at Pick Up - when Holding [ms]	50 - 65
Electrical Connections	Fast-On 6.35x0.8mm - Screw M4

Auxiliary Contacts

Tips material	Solid Silver (Gold plating opt)
Rated Operational Voltage [V _{ac} / V _{dc}]	250
Rated Current [A]	10 (RK= 0.5)
Minimum Switching Current at 16V _{dc} [mA]	20
Electrical Connections	Fast-On 6.35x0.8mm - Screw M4

Environmental Conditions

Stock Temperature Range	-50°C ÷ +85°C
Operational Temperature Range	-40°C ÷ +75°C
Pollution Degree - Overvoltage Category (EN 50124-1)	PD3 - OV3
Max Altitude without Performance Derating [m]	1500

