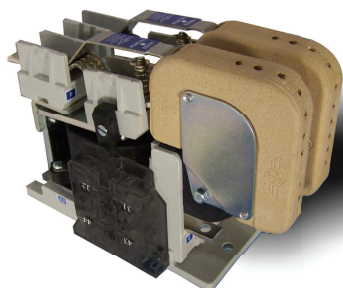


# Switches

## Standard Family Code LTHS00602\*A00



### Description

Contacter with single interruption in air, electromagnetic control by full power coil. Single state functioning.

Reference Standard IEC 60077, IEC 61992 and IEC 60947.

Type	LTHS 60
Number of Poles	2 NO
Connection between poles	Single, series or parallel <sup>1</sup>
Mounting Position	Horizontal - Vertical <sup>1</sup>
Control Voltage Rating $U_c$ [Vdc]	24 - 36 - 48 - 72 - 110 <sup>1</sup>
Auxiliary Contact Blocks	2 (1 NO + 1 NC)
Block Type	SL
Arc chute Material	Ceramic
Main Contacts tips Material	S6
Arcing Contacts tips Material	-
Electric Diagram	-
Layout Drawing	D45398

<sup>1</sup> To be specified in order phase.

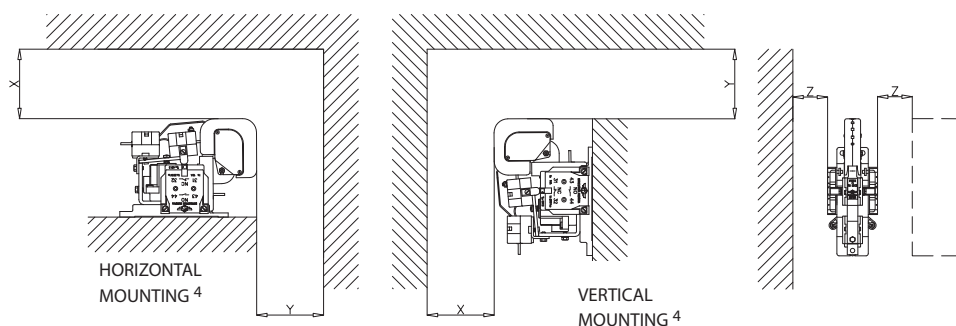
### Electrical Characteristics

Rated Operational Voltage [ $V_{ac}$ / $V_{dc}$ ]	440 / 900 <sup>1</sup>		
Max Operational Voltage [ $V_{ac}$ / $V_{dc}$ ]	1000		
Rated Insulation Voltage [V]	1000		
	Single Pole	Series Connected <sup>3</sup>	Parallel Connected <sup>3</sup>
Conventional Free Air Thermal Current [A] at 40°C <sup>2</sup>	80	80	160
Conventional Free Air Thermal Current [A] at 75°C <sup>2</sup>	60	60	120
DC-Rated Operational Current ( $\tau=15ms$ ) [A]			
900V	60	110	60
440V	115	250	115
DC-Maximum Breaking Capacity ( $\tau=5ms$ ) [A]			
900V	70	180	70
440V	160	420	160
AC-Maximum Breaking Capacity ( $\cos\phi=0,8$ ; 50Hz) [A]			
900V	100	240	100
440V	220	450	220
Short Circuit Withstand Capacity for 100ms [kA]	3	3	6
Critical Current Range [A]	<5 at 750V <sub>dc</sub>	<3 at 750V <sub>dc</sub>	<5 at 750V <sub>dc</sub>
Fault Making Capacity [kA]	1.8	1.8	3
Component Category / Operational Frequency Class	A2 / C3		
Blow Out Circuit Type	Indirect coil		

<sup>2</sup> Device cabled according IEC 60947

<sup>3</sup> Series or parallel bar connections are available under request

Minimum clearances [mm] from:				
Rated Operational Voltage	X	Y	Z	
900V	Metal Parts	80	80	20
	Plastic Parts	50	50	20



<sup>4</sup> OTHER MOUNTING POSITIONS NOT ALLOWED



Microelettrica Scientifica

# Switches

Standard Family Code  
LTHS00602\*A00

## Mechanical Characteristics

Mechanical Endurance (cycles)	2x10 <sup>6</sup>
Shock and Vibrations (IEC61373)	Cat.1 - Class B
Weight [kg]	2.7

## Control Circuit

Control Voltage Range	0.7U <sub>c</sub> ÷ 1.25U <sub>c</sub>
Power Consumption (U <sub>c</sub> and T = 20°C) at Pick Up - when Holding [W]	13 - 13
Mechanical Operation Time (U <sub>c</sub> and T = 20°C) when Closing - Opening [ms]	55 - 20
Time Constant (L/R) at Pick Up - when Holding [ms]	40 - 50
Electrical Connections	Fast-On 6.35x0.8mm

## Auxiliary Contacts

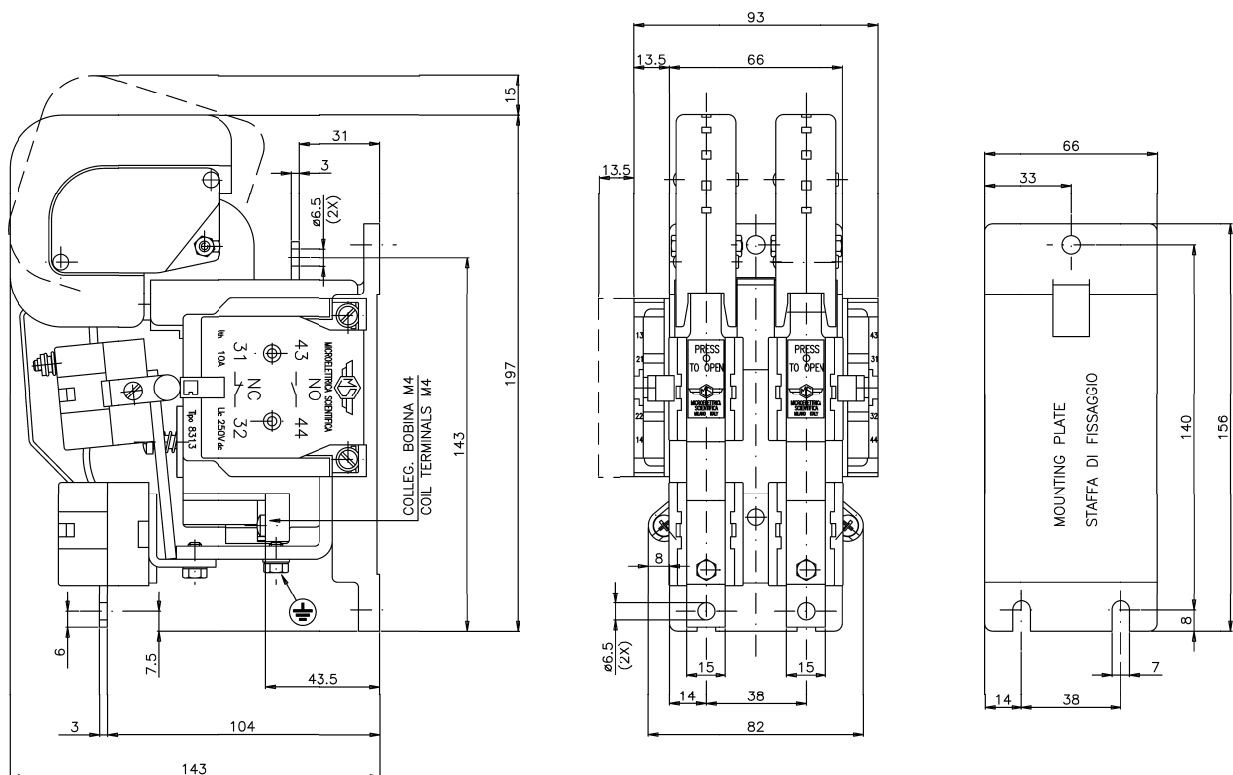
Tips material	Solid Silver
Rated Operational Voltage [V <sub>ac</sub> / V <sub>dc</sub> ]	250
Rated Current [A]	10
Minimum Switching Current at 16V <sub>dc</sub> [mA] <sup>5</sup>	20
Electrical Connections	Fast-On 6.35x0.8mm

## Environmental Conditions

Stock Temperature Range	-50°C ÷ +85°C
Operational Temperature Range	Tx (-40°C ÷ +75°C) <sup>6</sup>
Pollution Degree - Overvoltage Category (EN 50124-1)	PD3 - OV3
Max Altitude without Performance Derating [m]	2000

<sup>5</sup> In clean and dry conditions

<sup>6</sup> In according to IEC50125-1



Microelettrica Scientifica S.p.A. - 20090 Buccinasco (MI) - V. Lucania, 2 - Italy  
Tel. +39 02 575731 - Fax +39 02 57510940 - E-Mail: info@microelettrica.com