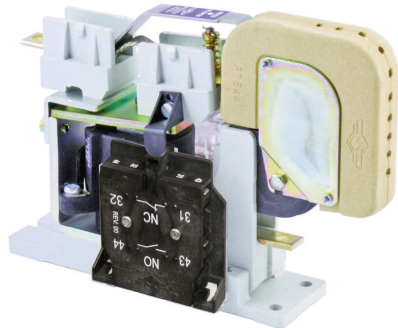


Switches

Standard Family Code LTHS00601*A00



Description

Contactors with single interruption in air, electromagnetic control by full power coil. Single state functioning.

Reference Standard IEC 60077, IEC 61992 and IEC 60947.

Type	LTHS 60
Number of Poles	1 NO
Mounting Position	Horizontal - Vertical ¹
Control Voltage Rating U _c [Vdc]	24 - 36 - 48 - 72 - 110 ¹
Auxiliary Contact Blocks	2 (1 NO + 1 NC)
Block Type	SL
Arc chute Material	Ceramic
Main Contacts tips Material	S6
Arcing Contacts tips Material	-
Electric Diagram	-
Layout Drawing	D45342

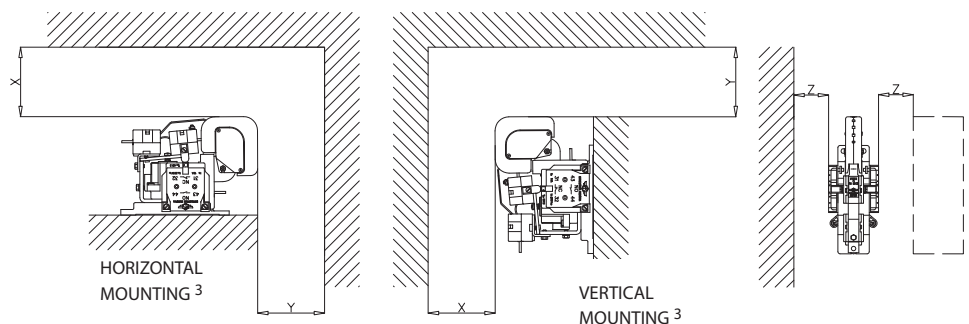
¹ To be specified in order phase.

Electrical Characteristics

Rated Operational Voltage [V _{ac} / V _{dc}]	900
Max Operational Voltage [V _{ac} / V _{dc}]	1000
Rated Insulation Voltage [V]	1000
Conventional Free Air Thermal Current [A] at 40°C ²	80
Conventional Free Air Thermal Current [A] at 75°C ²	60
DC-Rated Operational Current (τ=15ms) [A]	
900V	60
400V	115
DC-Maximum Breaking Capacity (τ=5ms) [A]	
900V	70
400V	160
AC-Maximum Breaking Capacity (cosφ=0,8; 50Hz) [A]	
900V	100
400V	220
Component Category / Operational Frequency Class	A2 / C3
Short Circuit Withstand Capacity for 100ms [kA]	2
Critical Current Range [A]	< 5 (U > 750V _{ac})
Fault Making Capacity [kA]	1.8
Blow Out Circuit Type	Indirect coil

² Device cabled according IEC 60947

Minimum clearances [mm] from:				
Rated Operational Voltage	X	Y	Z	
900V	Metal Parts	80	80	20
	Plastic Parts	50	50	20



³ OTHER MOUNTING POSITIONS NOT ALLOWED



Microelettrica Scientifica

Switches

Standard Family Code
LTHS00601*A00

Mechanical Characteristics

Mechanical Endurance (cycles)	2x10 ⁶
Shock and Vibrations (IEC61373)	Cat.1 - Class B
Weight [kg]	1.6

Control Circuit

Control Voltage Range	0.7U _c ÷ 1.25U _c
Power Consumption (U _c and T = 20°C) at Pick Up - when Holding [W]	13 - 13
Mechanical Operation Time (U _c and T = 20°C) when Closing - Opening [ms]	55 - 20
Time Constant (L/R) at Pick Up - when Holding [ms]	40 - 50
Electrical Connections	Fast-On 6.35x0.8mm

Auxiliary Contacts

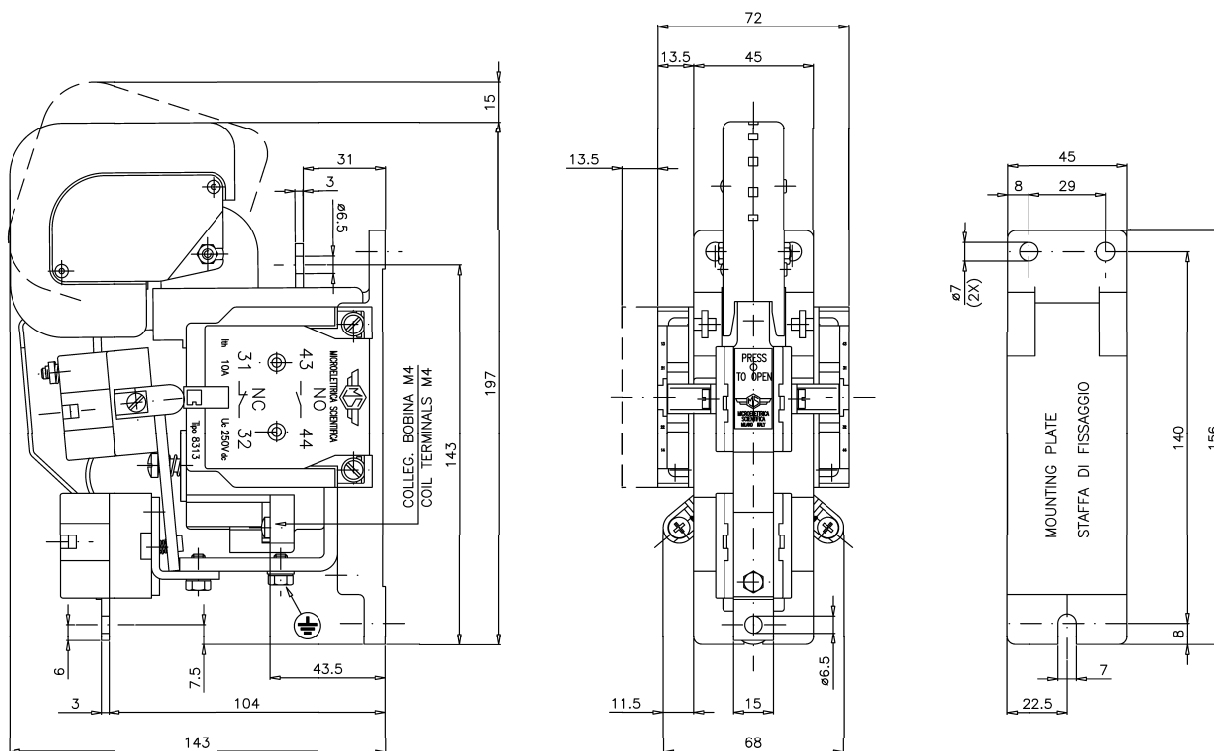
Tips material	Solid Silver
Rated Operational Voltage [V _{ac} / V _{dc}]	250
Rated Current [A]	10
Minimum Switching Current at 16V _{dc} [mA] ⁴	20
Electrical Connections	Fast-On 6.35x0.8mm

Environmental Conditions

Stock Temperature Range	-50°C ÷ +85°C
Operational Temperature Range	Tx (-40°C ÷ +75°C) ⁵
Pollution Degree - Overvoltage Category (EN 50124-1)	PD3 - OV3
Max Altitude without Performance Derating [m]	2000

⁴ In clean and dry conditions

⁵ In according to IEC50125-1



Microelettrica Scientifica S.p.A. - 20090 Buccinasco (MI) - V. Lucania, 2 - Italy
Tel. +39 02 575731 - Fax +39 02 57510940 - E-Mail: info@microelettrica.com