

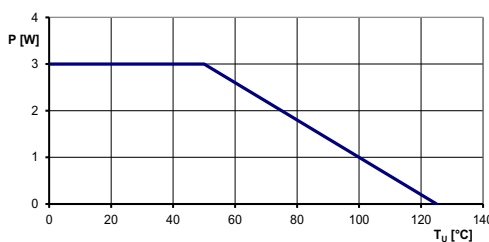


Main characteristics

- Power: 3 W
- Size 15 (Ø 36.5 mm)
- Wire-wound resistor ribbon, plastic housed
- 2 versions: S Standard / LL LongLife
- Various special executions available (Sheet 10-2-11)

Electrical characteristics

Resistance range	1R0 to 50K
Tolerance	Type 718 LL: G ($\pm 2\%$) Type 718 S: J ($\pm 5\%$)
Independent linearity	Type 718 S: $\pm 0.4\%$
Electrical angle	Standard: 340° On request: 270° / 280° / 300° / 320° / 350° $\pm 2^\circ$ and 357° - 359°
Electrical noise	Maximum 100 Ω ENR
Power rating	Nominal: 3 W, according to the derating curve



Multiple sections: 2.5 W / section

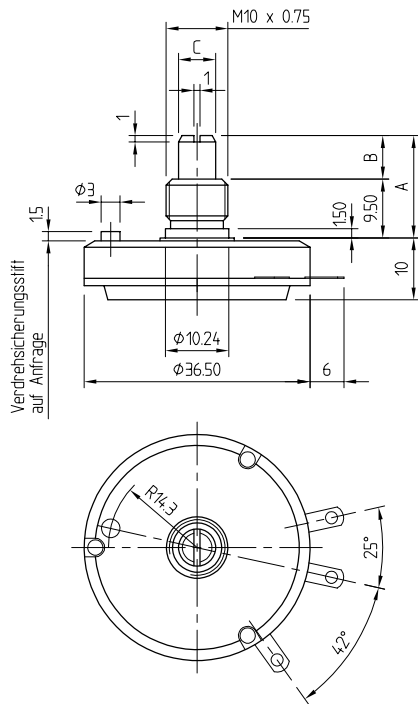
Insulation resistance	> 1000 M Ω at 500 V DC / 1 minute
Dielectric strength	1000 V AC / 50 Hz / 1 minute, at 1 bar
Temperature coefficient of wire	$\leq 50R = \pm 20$ ppm / °C, > 50R = ± 10 ppm / °C

Mechanical and physical characteristics

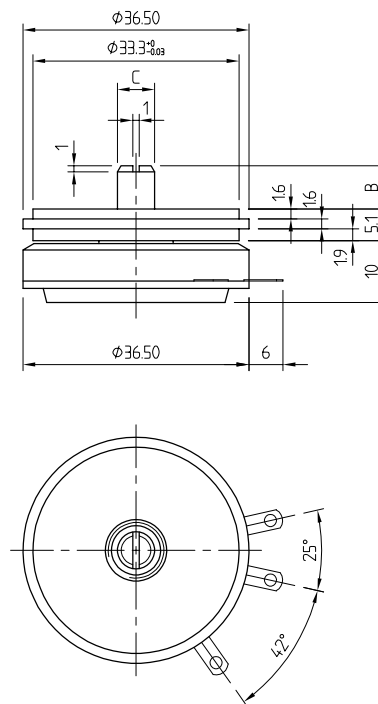
Mechanical angle	Non-stop (360°), or equal to the electrical angle
Rotational life	Depending on resistance value, on request
Starting torque	Standard: 0.4 Ncm, on request: 1.5 - 3 Ncm
Running torque	Standard: 0.2 Ncm, on request: 1.5 - 3 Ncm (+100% for each additional section)
Stop strength	340°: > 100 Ncm, other angles: > 50Ncm
Bearing type	Type 718 S: Sleeve-bearing Type 718 LL: 2 x precision ball bearing
Terminals	Gold plated beryllium copper
Sections	Maximum 5 sections, phase shift $\pm 0.5^\circ$
Weight	20 g (standard execution)
Ambiant temperature	From - 55 °C up to + 125 °C
Vibrations	20 g from 10 up to 2'000 Hz
Salt spray test	96 h without corrosion
Humidity tet (on request)	96 h with 80 - 98 % relative Humidity

Single turn precision wire-wound potentiometers series 718

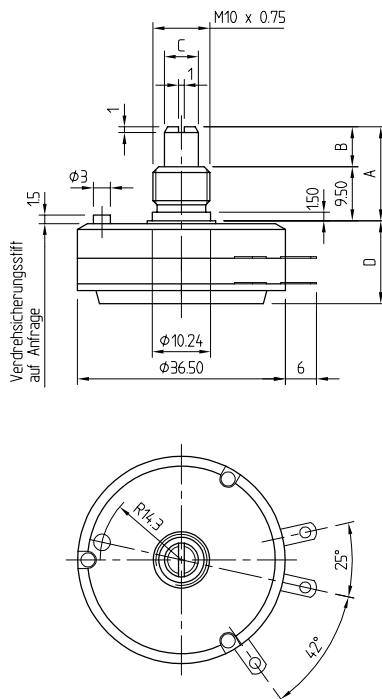
Drawings



Type 7180



Type 7180 with servo flange



Number of sections	Dimensions D [mm]
2	14.55
3	19.10
4	23.65
5	28.20

Type 7180 multiple sections

