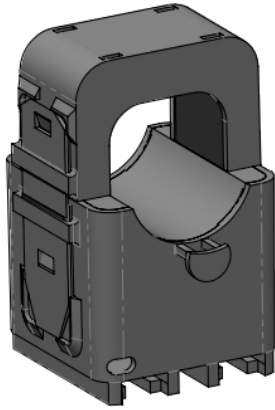


SPLIT CORE CURRENT TRANSFORMER

RSC 28

PATENTED*, LONG LASTING



- Exchangeable hinge
- Compact
- Simple installation
- Suitable for cable diameters up to 28 mm
- Non-halogen cable

GENERAL MECHANICAL FEATURES

The new REDUR split core current transformer is equipped with a robust and multifunctional polyamide enclosure difficult to inflame (acc. to UL 94 V2) with different fixing possibilities.

Our patented Click-off hinge* can completely be removed which allows to take off the top part of the current transformer completely. This facilitates the mounting even under difficult and tight installation conditions.

Due to our sophisticated spring system a constant contact pressure will always be provided. This guarantees long-term stable measuring values.

Mounting feet and snap-on mounting brackets rail TS 35 (DIN EN 60715) can be supplied optionally.

I_{sr}	Cl.	PRIMARY RATED CURRENT I_{pr}						A
		150	200	250	300	400	500	
5 A	3	0,6	0,6	0,6	1	2	2,5	VA
	1				1	2	2,5	
	0,5						0,5	
1 A	3	0,6	0,6	0,8	1	2	2,5	VA
	1				1	2	2,5	
	0,5						0,5	

- 1,5 m non-halogen cable 2 x 1,5 mm² for 5 A
- 3 m non-halogen cable 2 x 0,5 mm² for 1 A
- Accuracy and burden measured at the cable end

Other ratios, burdens and accuracies upon request

* Patent pending

ACCESSORIES (INCLUDED IN THE SCOPE OF SUPPLY):

- Cable tie

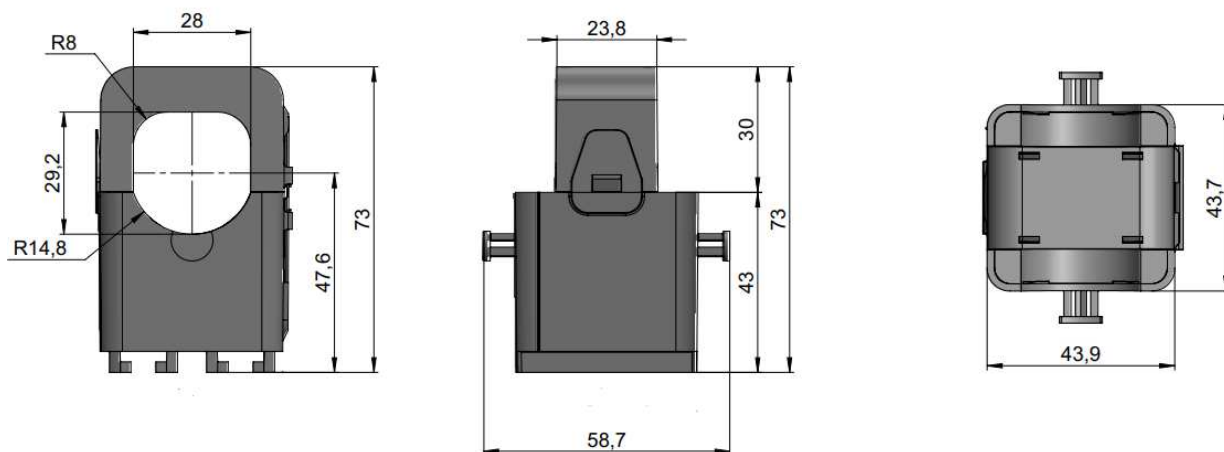
OPTIONAL ACCESSORIES:

- Mounting feet for panel mounting
- Snap-on mounting brackets for rail TS 35 (DIN EN 60715)
- Replacement hinge
- Enclosure acc. to UL 94 V0 (difficult to inflame and self-extinguishing)

GENERAL ELECTRICAL FEATURES:

Highest voltage for equipment U_m	0,72 kV
Rated power frequency withstand voltage	3 kV / 1 min
Frequency	50 / 60 Hz
Rated continuous thermal current I_{cth}	1,2 x I_{pr}
Instrument security factor	FS5 ... FS15
Rated short-time thermal current I_{th}	60 x I_{pr} for 1 s
Rated dynamic current I_{dyn}	2,5 x I_{th}
Service conditions	Indoor application
Ambient temperature	-40°C ... +60°C
Temperature rise class	H
Normative standards	IEC 61869 Part 1 + 2

DESIGN AND MEASURES:



Front view

Side view

Top view