



DERIVATORI con dimensioni DIN 43703 – Modello SH
SHUNT with dimensions DIN 43703 – Model SH
 Sommario/Summary

- FD 680150
 - Revision 3 19.01.2023
 - FD issue 21.01.2005
-
- Designed
F. Giuliani PG
 - Approved
C. Mortella RT

THIS DOCUMENT IS SUBJECT TO CHANGE WITHOUT NOTICE

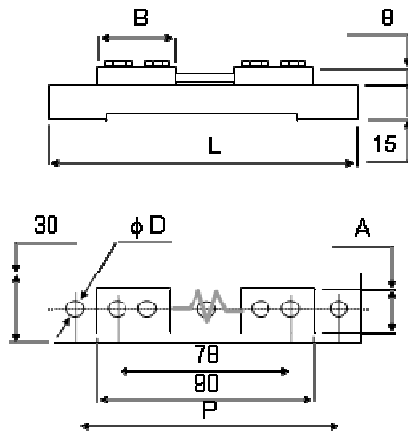
sheet 1 of 2



DERIVATORI secondo DIN 43703
 da 1 A a 25 A @ 60 mV e 150 mV
 MOD. SH

*SHUNT according to DIN 43703
 from 1 A to 25 A @ 60 mV and 150 mV
 MOD. SH*

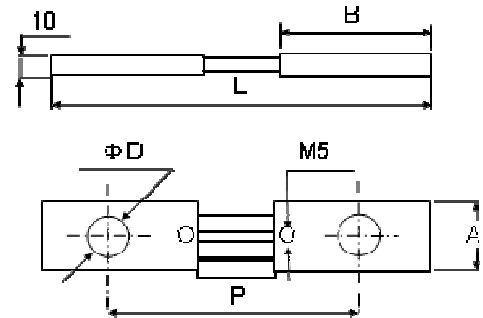
Foglio dati 680170 *Data sheet*



DERIVATORI secondo DIN 43703
 da 10 A a 200 A @ 60 mV e 150 mV
 MOD. SH

*SHUNT according to DIN 43703
 from 10 A to 200 A @ 60 mV and 150 mV
 MOD. SH*

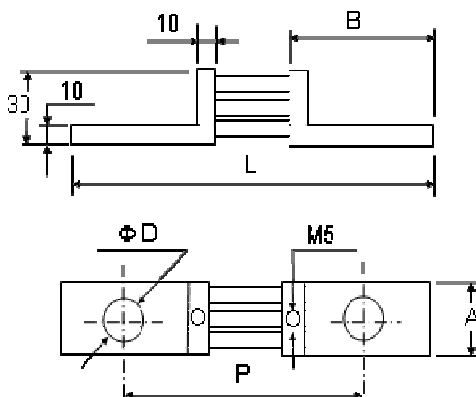
Foglio dati 680180 *Data sheet*



DERIVATORI secondo DIN 43703
 da 250 A a 1000 A @ 60 mV e 150 mV
 MOD. SH

*SHUNT according to DIN 43703
 from 250 A to 1000 A @ 60 mV and 150 mV
 MOD. SH*

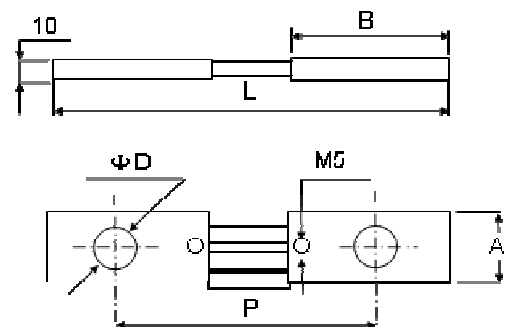
Foglio dati 680190 *Data sheet*



DERIVATORI secondo DIN 43703
 da 250 A a 1000 A @ 60 mV e 150 mV
 MOD. SH

*SHUNT according to DIN 43703
 from 250 A to 1000 A @ 60 mV and 150 mV
 MOD. SH*

Foglio dati 680160 *Data sheet*



S.I.R. Società Italiana Resistor
 Società a Socio Unico
 I-27053 Castellanza – Via Isonzo, 13
 Tel. +39 0331.504828 – Fax +39 0331.504565





DERIVATORI con dimensioni DIN 43703 – Modello SH
SHUNT with dimensions DIN 43703 – Model SH
 Sommario/Summary

- FD 680150
 - Revision 3 19.01.2023
 - FD issue 21.01.2005
-
- Designed
F. Giuliani PG
 - Approved
C. Mortella RT

THIS DOCUMENT IS SUBJECT TO CHANGE WITHOUT NOTICE

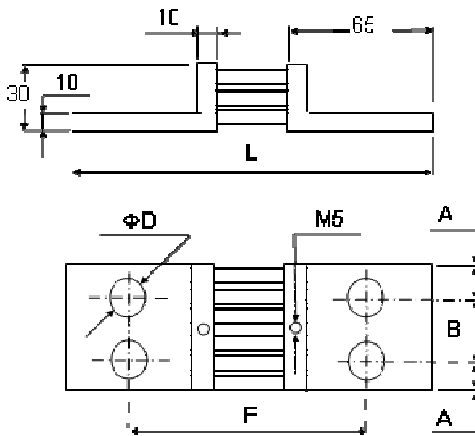
sheet 2 of 2



DERIVATORI secondo DIN 43703
 da 1200 A a 2500 A @ 60 mV
 MOD. SH

*SHUNT according to DIN 43703
 from 1200 A to 2500 A @ 60 mV
 MOD. SH*

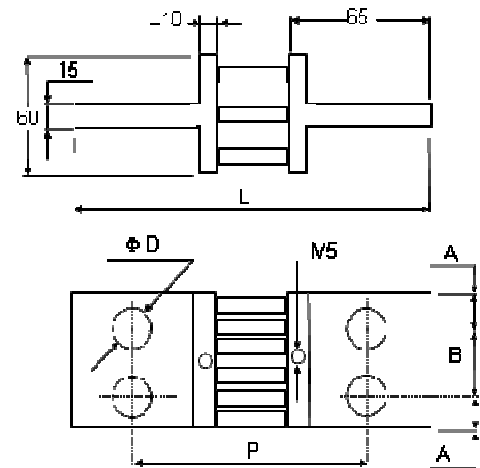
Foglio dati 680200 Data sheet



DERIVATORI secondo DIN 43703
 da 1200 A a 4000A @ 60 mV and 150 mV
 MOD. SH

*SHUNT according to DIN 43703
 from 1200 A to 4000A @ 60 mV and 150 mV
 MOD. SH*

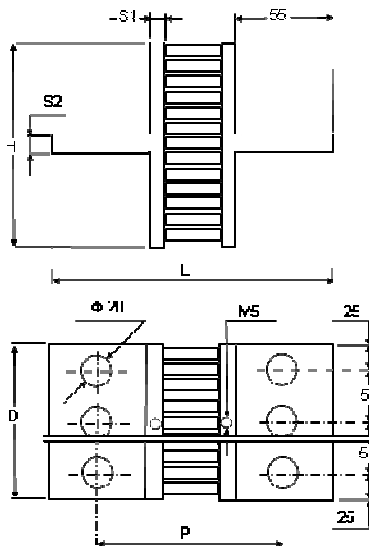
Foglio dati 680210 Data sheet



DERIVATORI secondo DIN 43703
 da 5000 A a 15000 A @ 60 mV
 MOD. SH

*SHUNT according to DIN 43703
 from da 5000 A to 15000 A @ 60 mV
 MOD. SH*

Foglio dati 680220 Data sheet



Nota: I deviatori presenti in questo documento sono i modelli standard. Deviatori fuori standard possono essere valutati su richiesta e su specifica tecnica Cliente.

Note: The shunts in this document are the standard models. Non-standard shunts can be evaluated on request and on Customer technical specification.

S.I.R. Società Italiana Resistor
 Società a Socio Unico
 I-21053 Castellanza – Via Isonzo, 13
 Tel. +39 0331.504828 – Fax +39 0331.504565

