



Resistenza cementata fissa
mod. RNOC (regolabile RNOCR)
*Cemented fixed resistor
type RNOC (adjustable RNOCR)*

sheet 1 of 6

-	FD 532490	
-	Revision 9	12/12/2025
-	FD issue	03/07/2019
-	Designed	
	S. Valente	UT
-	Approved	
	C. Mortella	RT

THIS DOCUMENT IS SUBJECT TO CHANGE WITHOUT NOTICE



Gli RNOC sono progettati per ottenere un'elevata potenza di dissipazione, utilizzando come avvolgimento della piattina ondulata, in modo da formare un vero e proprio radiatore. Il supporto è un nucleo in ceramica, in grado di resistere ad elevati shock termici dovuti a sovraccarichi. Queste resistenze di potenza possono essere dotate di terminali intermedi, tramite collari regolabili (tipo RNOCR). A causa dell'uso dell'avvolgimento a piattina, il valore ohmico è generalmente basso.

MATERIALI IMPIEGATI:

Protezione esterna: Cemento speciale inorganico ad alta conduttività termica.

Elemento resistivo: piattina Ni-Cr o Constantana

Supporto: Ceramico

Terminali: Collari in ottone o rame nichelato/in acciaio inox AISI 304, IP00

CARATTERISTICHE PRINCIPALI:

Infiammabilità: Tutti i materiali impiegati sono inorganici e quindi incombustibili e non producono fumo per definizione.

Resistenza ai solventi: La smaltatura e la stampigliatura sono inattaccabili dai solventi industriali più comuni.

CARATTERISTICHE ELETTRICHE:

Tolleranza sul valore resistivo: vedere tabella sotto

Coefficiente di temperatura: ≤ 100 ppm / °C

Resistenza di isolamento a secco: > 100 MOhm @ 500Vdc

Limiti di temperatura: -55°C; +350°C (-55°C; +300°C per RNOCR/RNOCN)

Costante di tempo: $\sim 2 \div 9$ min

Tempo per raggiungere la condizione stazionaria: $\sim 8 \div 20$ min

RESISTORI NON INDUTTIVI: disponibili come RNOCN con avvolgimento Ayrton Perry. Terminali dallo stesso lato.

MARCATURA: marchio SIR, serie, tipo, valore ohmico, tolleranza, data di produzione (settimana / anno).

Conforme con ROHS 3 (UE 2015/863) e REACH (Regolamento CE 1907/2006) e versioni precedenti.

The RNOC are designed to achieve a very high dissipation power, using corrugate ribbon winding, thus forming an effective radiator. The support is a ceramic core, able to withstand high thermal shock due to overloads. These power resistors can be featured with intermediate terminals, by means of adjustable collars (RNOCR type).

Due to the use of ribbon winding the ohmic value is generally low.

MATERIAL USED:

External protection: Inorganic special cement with high thermal conductivity.

Resistive element: Ni-Cr or Constantan ribbon

Substrate: Ceramic

Terminals: Nickel plated brass or copper/stainless steel AISI 304 collars, IP00

MAIN CHARACTERISTICS:

Flammability: All materials are inorganic and inherently no-burning and no-smoking.

Solvent resistance: The vitreous coating and marking are resistant to all common industrial cleaning fluids.

ELECTRICAL CHARACTERISTICS:

Resistance tolerance: see table below

Temperature coefficient: ≤ 100 ppm/°C

Dry insulation resistance: > 100 MOhm @ 500Vdc

Temperature limits: -55°C; +350°C (-55°C; +300°C for RNOCR/RNOCN)

Time constant: $\sim 2 \div 9$ min

Time to reach the steady state: $\sim 8 \div 20$ min

NON INDUCTIVE RESISTORS: available as RNOCN with Ayrton Perry winding. Terminals at the same side.

MARKING: SIR Trademark, series, type, Ohmic value, tolerance, date of manufacturing (week/year).

Compliant with ROHS 3 (EU 2015/863) and REACH (CE Regulation 1907/2006) and previous releases.

Nota: La gamma dei valori resistivi indicata è quella standard, valori differenti possono essere valutati su richiesta.

The resistance range indicated is the standard one, different values can be evaluated on request.

Per i modelli anti induttivi, i valori di resistenza sono più bassi del valore massimo standard.

For anti-inductive models, the resistance values are lower than the maximum standard value.

Se non diversamente specificato, tolleranze applicabili (dimensioni generali/forma) per: ceramica DIN 40680-1/-2 classe g; metallo ISO 2768-1/-2 classe c/L.

Unless otherwise specified, applicable tolerances (general dimensions/shape) for: ceramic DIN 40680-1/-2 class g; metal ISO 2768-1/-2 class c/L.

Il presente documento sostituisce/This document replaces FD 530130; FD 532370; FD 532380; FD 532430; FD 532450; FD 532360; FD 532180; FD 530140; FD 532050; FD 531750; FD 532340; FD 532130; FD 531800; FD 531840; FD 532400; FD 530130

S.I.R. Società Italiana Resistor

I-21053 Castellanza - Via Isonzo, 13

Tel. +39 0331.504828 - Fax +39 0331.504565



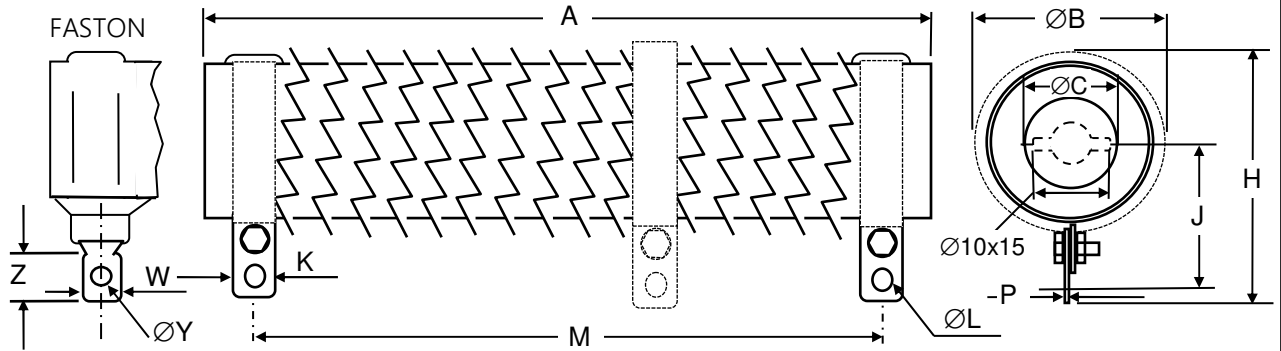


Resistenza cementata fissa
mod. RNOC (regolabile RNOCR)
Cemented fixed resistor
type RNOC (adjustable RNOCR)

sheet 2 of 6

- FD 532490
- Revision 9 12/12/2025
- FD issue 03/07/2019
- Designed S. Valente UT
- Approved C. Mortella RT

THIS DOCUMENT IS SUBJECT TO CHANGE WITHOUT NOTICE



1. Resistore: RNOC	25.138	29.108	29.165	29.215	29.265	29.300	30.330	42.362	Resistor: RNOC																																																																																																																																		
2. Dimensioni	<table border="1"> <thead> <tr> <th>A±4</th> <th>138 mm</th> <th>108 mm</th> <th>165 mm</th> <th>215 mm</th> <th>265 mm</th> <th>300 mm</th> <th>330 mm</th> <th>362 mm</th> <th>A±4</th> </tr> <tr> <th>M±4</th> <td>122 mm</td> <td>92 mm</td> <td>149 mm</td> <td>196 mm</td> <td>246 mm</td> <td>275 mm</td> <td>310 mm</td> <td>342 mm</td> <th>M±4</th> </tr> <tr> <th>ΦB±4</th> <td>35 mm</td> <td>37 mm</td> <td>37 mm</td> <td>37 mm</td> <td>37 mm</td> <td>37 mm</td> <td>37 mm</td> <td>48 mm</td> <th>ΦB±4</th> </tr> <tr> <th>ΦC±3</th> <td>13 mm</td> <td>---</td> <td>---</td> <td>---</td> <td>---</td> <td>---</td> <td>18 mm</td> <td>30 mm</td> <th>ΦC±3</th> </tr> <tr> <th>±1,5</th> <td>---</td> <td>Ø10x15</td> <td>Ø10x15</td> <td>Ø10x15m</td> <td>Ø10x15</td> <td>Ø10x15</td> <td>---</td> <td>---</td> <th>±1,5</th> </tr> <tr> <th>K±0,2</th> <td>8 mm</td> <td>8 mm</td> <td>8 mm</td> <td>8 mm</td> <td>8 mm</td> <td>8 mm</td> <td>8 mm</td> <td>12 mm</td> <th>K±0,2</th> </tr> <tr> <th>φL±0,2</th> <td>4,2 mm</td> <td>4,2 mm</td> <td>4,2 mm</td> <td>4,2 mm</td> <td>4,2 mm</td> <td>4,2 mm</td> <td>4,2 mm</td> <td>5,2 mm</td> <th>φL±0,2</th> </tr> <tr> <th>H±4,5</th> <td>48 mm</td> <td>52 mm</td> <td>52 mm</td> <td>52 mm</td> <td>52 mm</td> <td>52 mm</td> <td>52 mm</td> <td>62 mm</td> <th>H±4,5</th> </tr> <tr> <th>J±4,5</th> <td>28 mm</td> <td>30 mm</td> <td>30 mm</td> <td>30 mm</td> <td>30 mm</td> <td>30 mm</td> <td>30 mm</td> <td>35 mm</td> <th>J±4,5</th> </tr> <tr> <th>P±0,2</th> <td>0,8 mm</td> <td>0,8 mm</td> <td>0,8 mm</td> <td>0,8 mm</td> <td>0,8 mm</td> <td>0,8 mm</td> <td>0,8 mm</td> <td>0,8 mm</td> <th>P±0,2</th> </tr> <tr> <th>Z±0,2</th> <td>8,5 mm</td> <td>8,5 mm</td> <td>8,5 mm</td> <td>8,5 mm</td> <td>8,5 mm</td> <td>8,5 mm</td> <td>8,5 mm</td> <td>---</td> <th>Z±0,2</th> </tr> <tr> <th>W±0,2</th> <td>6,2 mm</td> <td>6,2 mm</td> <td>6,2 mm</td> <td>6,2 mm</td> <td>6,2 mm</td> <td>6,2 mm</td> <td>6,2 mm</td> <td>---</td> <th>W±0,2</th> </tr> <tr> <th>Y±0,2</th> <td>2,0 mm</td> <td>2,0 mm</td> <td>2,0 mm</td> <td>2,0 mm</td> <td>2,0 mm</td> <td>2,0 mm</td> <td>2,0 mm</td> <td>---</td> <th>Y±0,2</th> </tr> </thead></table>									A±4	138 mm	108 mm	165 mm	215 mm	265 mm	300 mm	330 mm	362 mm	A±4	M±4	122 mm	92 mm	149 mm	196 mm	246 mm	275 mm	310 mm	342 mm	M±4	ΦB±4	35 mm	37 mm	37 mm	37 mm	37 mm	37 mm	37 mm	48 mm	ΦB±4	ΦC±3	13 mm	---	---	---	---	---	18 mm	30 mm	ΦC±3	±1,5	---	Ø10x15	Ø10x15	Ø10x15m	Ø10x15	Ø10x15	---	---	±1,5	K±0,2	8 mm	8 mm	8 mm	8 mm	8 mm	8 mm	8 mm	12 mm	K±0,2	φL±0,2	4,2 mm	4,2 mm	4,2 mm	4,2 mm	4,2 mm	4,2 mm	4,2 mm	5,2 mm	φL±0,2	H±4,5	48 mm	52 mm	52 mm	52 mm	52 mm	52 mm	52 mm	62 mm	H±4,5	J±4,5	28 mm	30 mm	30 mm	30 mm	30 mm	30 mm	30 mm	35 mm	J±4,5	P±0,2	0,8 mm	0,8 mm	0,8 mm	0,8 mm	0,8 mm	0,8 mm	0,8 mm	0,8 mm	P±0,2	Z±0,2	8,5 mm	8,5 mm	8,5 mm	8,5 mm	8,5 mm	8,5 mm	8,5 mm	---	Z±0,2	W±0,2	6,2 mm	6,2 mm	6,2 mm	6,2 mm	6,2 mm	6,2 mm	6,2 mm	---	W±0,2	Y±0,2	2,0 mm	2,0 mm	2,0 mm	2,0 mm	2,0 mm	2,0 mm	2,0 mm	---	Y±0,2
A±4	138 mm	108 mm	165 mm	215 mm	265 mm	300 mm	330 mm	362 mm	A±4																																																																																																																																		
M±4	122 mm	92 mm	149 mm	196 mm	246 mm	275 mm	310 mm	342 mm	M±4																																																																																																																																		
ΦB±4	35 mm	37 mm	37 mm	37 mm	37 mm	37 mm	37 mm	48 mm	ΦB±4																																																																																																																																		
ΦC±3	13 mm	---	---	---	---	---	18 mm	30 mm	ΦC±3																																																																																																																																		
±1,5	---	Ø10x15	Ø10x15	Ø10x15m	Ø10x15	Ø10x15	---	---	±1,5																																																																																																																																		
K±0,2	8 mm	8 mm	8 mm	8 mm	8 mm	8 mm	8 mm	12 mm	K±0,2																																																																																																																																		
φL±0,2	4,2 mm	4,2 mm	4,2 mm	4,2 mm	4,2 mm	4,2 mm	4,2 mm	5,2 mm	φL±0,2																																																																																																																																		
H±4,5	48 mm	52 mm	52 mm	52 mm	52 mm	52 mm	52 mm	62 mm	H±4,5																																																																																																																																		
J±4,5	28 mm	30 mm	30 mm	30 mm	30 mm	30 mm	30 mm	35 mm	J±4,5																																																																																																																																		
P±0,2	0,8 mm	0,8 mm	0,8 mm	0,8 mm	0,8 mm	0,8 mm	0,8 mm	0,8 mm	P±0,2																																																																																																																																		
Z±0,2	8,5 mm	8,5 mm	8,5 mm	8,5 mm	8,5 mm	8,5 mm	8,5 mm	---	Z±0,2																																																																																																																																		
W±0,2	6,2 mm	6,2 mm	6,2 mm	6,2 mm	6,2 mm	6,2 mm	6,2 mm	---	W±0,2																																																																																																																																		
Y±0,2	2,0 mm	2,0 mm	2,0 mm	2,0 mm	2,0 mm	2,0 mm	2,0 mm	---	Y±0,2																																																																																																																																		
3. Gamma dei valori resistivi	<table border="1"> <thead> <tr> <th>RNOC</th> <td>0,068Ω±12Ω</td> <td>0,068Ω±10Ω</td> <td>0,12Ω±25Ω</td> <td>0,18Ω±30Ω</td> <td>0,22Ω±43Ω</td> <td>0,24Ω±47Ω</td> <td>0,27Ω±45Ω</td> <td>0,33Ω±56Ω</td> <th>RNOC</th> </tr> <tr> <th>RNOCR</th> <td>---</td> <td>---</td> <td>---</td> <td>---</td> <td>---</td> <td>---</td> <td>---</td> <td>---</td> <th>RNOCR</th> </tr> <tr> <th>RNOCN</th> <td>---</td> <td>---</td> <td>0,12Ω±5Ω</td> <td>0,18Ω±8Ω</td> <td>0,22Ω±20Ω</td> <td>0,24Ω±20Ω</td> <td>0,27Ω±20Ω</td> <td>0,33Ω±20Ω</td> <th>RNOCN</th> </tr> </thead> </table>									RNOC	0,068Ω±12Ω	0,068Ω±10Ω	0,12Ω±25Ω	0,18Ω±30Ω	0,22Ω±43Ω	0,24Ω±47Ω	0,27Ω±45Ω	0,33Ω±56Ω	RNOC	RNOCR	---	---	---	---	---	---	---	---	RNOCR	RNOCN	---	---	0,12Ω±5Ω	0,18Ω±8Ω	0,22Ω±20Ω	0,24Ω±20Ω	0,27Ω±20Ω	0,33Ω±20Ω	RNOCN																																																																																																				
RNOC	0,068Ω±12Ω	0,068Ω±10Ω	0,12Ω±25Ω	0,18Ω±30Ω	0,22Ω±43Ω	0,24Ω±47Ω	0,27Ω±45Ω	0,33Ω±56Ω	RNOC																																																																																																																																		
RNOCR	---	---	---	---	---	---	---	---	RNOCR																																																																																																																																		
RNOCN	---	---	0,12Ω±5Ω	0,18Ω±8Ω	0,22Ω±20Ω	0,24Ω±20Ω	0,27Ω±20Ω	0,33Ω±20Ω	RNOCN																																																																																																																																		
4. Tolleranza	± 10% (0+15% RNOR)																																																																																																																																										
5. Temp. superficiale limite	350°C (300°C RNOCR/RNOCN)																																																																																																																																										
6. Tensione limite	(P _R ·R) ^{0,5}																																																																																																																																										
7. Sovraccarico	10P _R for 5" max																																																																																																																																										
8. Potenza (P _R 25°C)	160 W	155 W	240 W	300 W	370 W	420 W	450 W	700 W	Rated power (P _R 25°C)																																																																																																																																		

1. Resistore: RNOC	50.320	50.373	50.400	60.400	60.500	65.240	65.300	65.400	65.500	Resistor: RNOC																																																																																																																																				
2. Dimensioni	<table border="1"> <thead> <tr> <th>A±4</th> <th>320 mm</th> <th>373 mm</th> <th>400 mm</th> <th>400 mm</th> <th>500 mm</th> <th>240 mm</th> <th>300 mm</th> <th>400 mm</th> <th>500 mm</th> <th>A±4</th> </tr> <tr> <th>M±4</th> <td>295 mm</td> <td>348 mm</td> <td>375 mm</td> <td>365 mm</td> <td>465 mm</td> <td>205 mm</td> <td>265 mm</td> <td>365 mm</td> <td>465 mm</td> <th>M±4</th> </tr> <tr> <th>ΦB±4</th> <td>59 mm</td> <td>59 mm</td> <td>59 mm</td> <td>69 mm</td> <td>69 mm</td> <td>74 mm</td> <td>74 mm</td> <td>74 mm</td> <td>74 mm</td> <th>ΦB±4</th> </tr> <tr> <th>ΦC±3</th> <td>30 mm</td> <td>30 mm</td> <td>30 mm</td> <td>40 mm</td> <td>40 mm</td> <td>42 mm</td> <td>42 mm</td> <td>42 mm</td> <td>42 mm</td> <th>ΦC±3</th> </tr> <tr> <th>K±0,2</th> <td>12 mm</td> <td>12 mm</td> <td>12 mm</td> <td>12 mm</td> <td>12 mm</td> <td>12 mm</td> <td>12 mm</td> <td>12 mm</td> <td>12 mm</td> <th>K±0,2</th> </tr> <tr> <th>φL±0,2</th> <td>5,2 mm</td> <td>5,2 mm</td> <td>5,2 mm</td> <td>5,2 mm</td> <td>5,2 mm</td> <td>5,2 mm</td> <td>5,2 mm</td> <td>5,2 mm</td> <td>5,2 mm</td> <th>φL±0,2</th> </tr> <tr> <th>H±4,5</th> <td>74 mm</td> <td>74 mm</td> <td>74 mm</td> <td>83 mm</td> <td>83 mm</td> <td>88 mm</td> <td>88 mm</td> <td>88 mm</td> <td>88 mm</td> <th>H±4,5</th> </tr> <tr> <th>J±4,5</th> <td>39 mm</td> <td>39 mm</td> <td>39 mm</td> <td>45 mm</td> <td>45 mm</td> <td>48 mm</td> <td>48 mm</td> <td>48 mm</td> <td>48 mm</td> <th>J±4,5</th> </tr> <tr> <th>P±0,2</th> <td>0,8 mm</td> <td>0,8 mm</td> <td>0,8 mm</td> <td>0,8 mm</td> <td>0,8 mm</td> <td>0,8 mm</td> <td>0,8 mm</td> <td>0,8 mm</td> <td>0,8 mm</td> <th>P±0,2</th> </tr> <tr> <th>Z±0,2</th> <td>---</td> <td>---</td> <td>---</td> <td>---</td> <td>---</td> <td>---</td> <td>---</td> <td>---</td> <td>---</td> <th>Z±0,2</th> </tr> <tr> <th>W±0,2</th> <td>---</td> <td>---</td> <td>---</td> <td>---</td> <td>---</td> <td>---</td> <td>---</td> <td>---</td> <td>---</td> <th>W±0,2</th> </tr> <tr> <th>Y±0,2</th> <td>---</td> <td>---</td> <td>---</td> <td>---</td> <td>---</td> <td>---</td> <td>---</td> <td>---</td> <td>---</td> <th>Y±0,2</th> </tr> </thead></table>										A±4	320 mm	373 mm	400 mm	400 mm	500 mm	240 mm	300 mm	400 mm	500 mm	A±4	M±4	295 mm	348 mm	375 mm	365 mm	465 mm	205 mm	265 mm	365 mm	465 mm	M±4	ΦB±4	59 mm	59 mm	59 mm	69 mm	69 mm	74 mm	74 mm	74 mm	74 mm	ΦB±4	ΦC±3	30 mm	30 mm	30 mm	40 mm	40 mm	42 mm	42 mm	42 mm	42 mm	ΦC±3	K±0,2	12 mm	12 mm	12 mm	12 mm	12 mm	12 mm	12 mm	12 mm	12 mm	K±0,2	φL±0,2	5,2 mm	5,2 mm	5,2 mm	5,2 mm	5,2 mm	5,2 mm	5,2 mm	5,2 mm	5,2 mm	φL±0,2	H±4,5	74 mm	74 mm	74 mm	83 mm	83 mm	88 mm	88 mm	88 mm	88 mm	H±4,5	J±4,5	39 mm	39 mm	39 mm	45 mm	45 mm	48 mm	48 mm	48 mm	48 mm	J±4,5	P±0,2	0,8 mm	0,8 mm	0,8 mm	0,8 mm	0,8 mm	0,8 mm	0,8 mm	0,8 mm	0,8 mm	P±0,2	Z±0,2	---	---	---	---	---	---	---	---	---	Z±0,2	W±0,2	---	---	---	---	---	---	---	---	---	W±0,2	Y±0,2	---	---	---	---	---	---	---	---	---	Y±0,2
A±4	320 mm	373 mm	400 mm	400 mm	500 mm	240 mm	300 mm	400 mm	500 mm	A±4																																																																																																																																				
M±4	295 mm	348 mm	375 mm	365 mm	465 mm	205 mm	265 mm	365 mm	465 mm	M±4																																																																																																																																				
ΦB±4	59 mm	59 mm	59 mm	69 mm	69 mm	74 mm	74 mm	74 mm	74 mm	ΦB±4																																																																																																																																				
ΦC±3	30 mm	30 mm	30 mm	40 mm	40 mm	42 mm	42 mm	42 mm	42 mm	ΦC±3																																																																																																																																				
K±0,2	12 mm	12 mm	12 mm	12 mm	12 mm	12 mm	12 mm	12 mm	12 mm	K±0,2																																																																																																																																				
φL±0,2	5,2 mm	5,2 mm	5,2 mm	5,2 mm	5,2 mm	5,2 mm	5,2 mm	5,2 mm	5,2 mm	φL±0,2																																																																																																																																				
H±4,5	74 mm	74 mm	74 mm	83 mm	83 mm	88 mm	88 mm	88 mm	88 mm	H±4,5																																																																																																																																				
J±4,5	39 mm	39 mm	39 mm	45 mm	45 mm	48 mm	48 mm	48 mm	48 mm	J±4,5																																																																																																																																				
P±0,2	0,8 mm	0,8 mm	0,8 mm	0,8 mm	0,8 mm	0,8 mm	0,8 mm	0,8 mm	0,8 mm	P±0,2																																																																																																																																				
Z±0,2	---	---	---	---	---	---	---	---	---	Z±0,2																																																																																																																																				
W±0,2	---	---	---	---	---	---	---	---	---	W±0,2																																																																																																																																				
Y±0,2	---	---	---	---	---	---	---	---	---	Y±0,2																																																																																																																																				
3. Gamma dei valori resistivi	<table border="1"> <thead> <tr> <th>RNOC</th> <td>0,50Ω±60Ω</td> <td>0,56Ω±68Ω</td> <td>0,60Ω±72Ω</td> <td>0,80Ω±80Ω</td> <td>0,9Ω±90Ω</td> <td>0,40Ω±50Ω</td> <td>0,56Ω±68Ω</td> <td>0,82Ω±82Ω</td> <td>1,0Ω±100Ω</td> <th>RNOC</th> </tr> <tr> <th>RNOCR</th> <td>---</td> <td>---</td> <td>---</td> <td>---</td> <td>---</td> <td>---</td> <td>---</td> <td>---</td> <td>---</td> <th>RNOCR</th> </tr> <tr> <th>RNOCN</th> <td>0,50Ω±20Ω</td> <td>0,56Ω±25Ω</td> <td>0,60Ω±25Ω</td> <td>0,80Ω±25Ω</td> <td>0,9Ω±40Ω</td> <td>0,40Ω±20Ω</td> <td>0,56Ω±20Ω</td> <td>0,82Ω±25Ω</td> <td>1,0Ω±40Ω</td> <th>RNOCN</th> </tr> </thead> </table>										RNOC	0,50Ω±60Ω	0,56Ω±68Ω	0,60Ω±72Ω	0,80Ω±80Ω	0,9Ω±90Ω	0,40Ω±50Ω	0,56Ω±68Ω	0,82Ω±82Ω	1,0Ω±100Ω	RNOC	RNOCR	---	---	---	---	---	---	---	---	---	RNOCR	RNOCN	0,50Ω±20Ω	0,56Ω±25Ω	0,60Ω±25Ω	0,80Ω±25Ω	0,9Ω±40Ω	0,40Ω±20Ω	0,56Ω±20Ω	0,82Ω±25Ω	1,0Ω±40Ω	RNOCN																																																																																																			
RNOC	0,50Ω±60Ω	0,56Ω±68Ω	0,60Ω±72Ω	0,80Ω±80Ω	0,9Ω±90Ω	0,40Ω±50Ω	0,56Ω±68Ω	0,82Ω±82Ω	1,0Ω±100Ω	RNOC																																																																																																																																				
RNOCR	---	---	---	---	---	---	---	---	---	RNOCR																																																																																																																																				
RNOCN	0,50Ω±20Ω	0,56Ω±25Ω	0,60Ω±25Ω	0,80Ω±25Ω	0,9Ω±40Ω	0,40Ω±20Ω	0,56Ω±20Ω	0,82Ω±25Ω	1,0Ω±40Ω	RNOCN																																																																																																																																				
4. Tolleranza	± 10% ± 5% (0+15% RNOR)																																																																																																																																													
5. Temp. superficiale limite	350°C (300°C RNOCR/RNOCN)																																																																																																																																													
6. Tensione limite	(P _R ·R) ^{0,5}																																																																																																																																													
7. Sovraccarico	10P _R for 5" max																																																																																																																																													
8. Potenza (P _R 25°C)	900 W	1000 W	1075 W	1000 W	1500 W	600 W	750 W	1000 W	1500 W	Rated power (P _R 25°C)																																																																																																																																				

S.I.R. Società Italiana Resistor
I-21053 Castellanza - Via Isonzo, 13
Tel. +39 0331.504828 - Fax +39 0331.504565





Resistenza cementata fissa
mod. RNOC (regolabile RNOCR)
Cemented fixed resistor
type RNOC (adjustable RNOCR)

sheet 3 of 6

- FD 532490
 - Revision 9 12/12/2025
 - FD issue 03/07/2019
-
- Designed
S. Valente UT
 - Approved
C. Mortella RT

THIS DOCUMENT IS SUBJECT TO CHANGE WITHOUT NOTICE



9. Terminali e supporti di fissaggio

Terminals and fixing points

I resistori regolabili RNOCR sono normalmente forniti con il cursore inserito e non fissato in una specifica posizione. Su richiesta sono forniti cursori addizionali.

Le tipologie di terminali e sistemi di fissaggio disponibili sono riportate di seguito (per le dimensioni vedere tabelle precedenti):

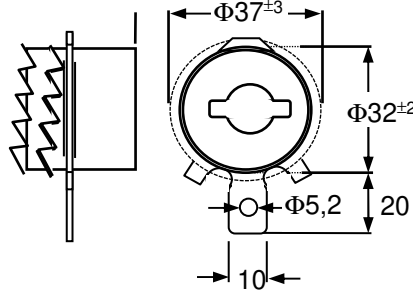
- Terminale TA (Standard) o F (Faston) - sketch pag.2
 - Terminale TC (TA + vite, dado e rondelle da M3 a M6)
 - Terminale TI (solo per 29.XXX)
 - Terminale e sistema di fissaggio TS
 - Sistema di fissaggio SO (per RNOC/B)
 - Sistema di fissaggio con tirante L
 - Sistema di fissaggio SB/SC
- In assenza di indicazioni nell'ordine, le resistenze saranno fornite con terminale standard TA.

Adjustable resistors RNOCR are normally supplied with the sliding collar fitted and not locked in any specific position. Additional collars can be supplied on request.

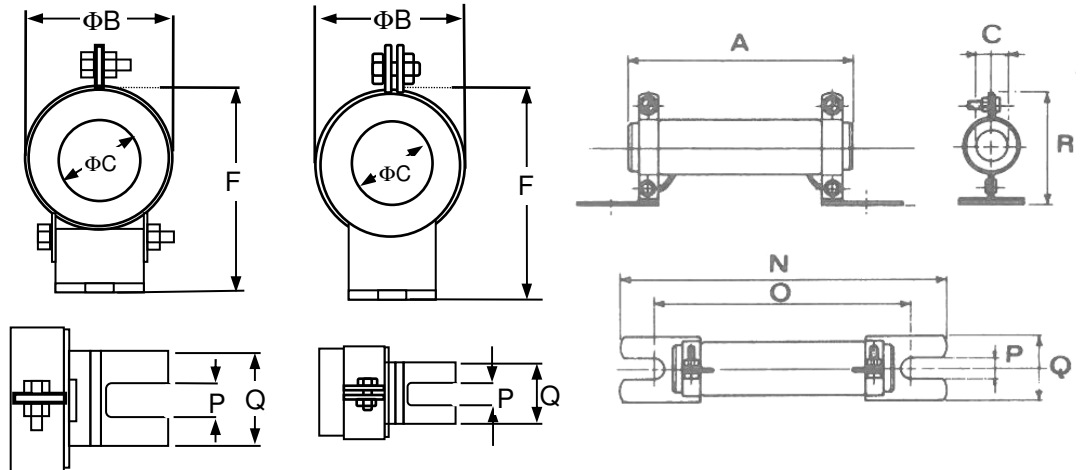
The terminals and fixing points typology available are reported below (for the dimensions see previous tables):

- Terminal TA (Standard) or F (Faston) - sketch pag.2
 - Terminal TC (TA + screws, nut, washer from M3 to M6)
 - Terminal TI (only for 29.XXX)
 - Terminal and fixing support TS
 - Fixing support SO (for RNOC/B)
 - Fixing support with tie rod L
 - Fixing support SB/SC
- In absence of any indication in the order, the resistors shall be supplied with terminal standard TA.

Terminal TI (29.XXX only)

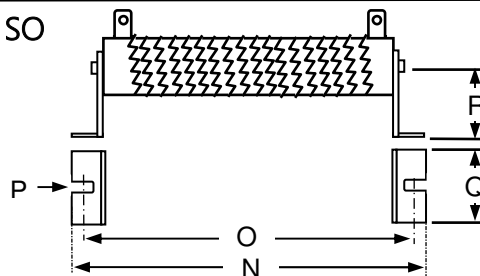


Terminal TS



TS	25. XXX	29.XXX	42.XXX	50.XXX	60.XXX
N±2	A+58 mm	A+58 mm	A+60 mm	A+60 mm	A+60 mm
O±2	A+26 mm	A+26 mm	A+20 mm	A+20 mm	A+20 mm
R±2	53 mm	57 mm	87 mm	95 mm	105 mm
P±0,2	6,3 mm	6,3 mm	8 mm	8 mm	8 mm
Q±1	20 mm	20 mm	30 mm	30 mm	30 mm
F±2	40 mm	44 mm	68 mm	76 mm	86 mm

Fixing support SO



SO	42.XXX 50.XXX 60.XXX – 65.XXX
N±2	A+36 mm
O±2	A+24 mm
R±2	65 mm
P±0,2	6,2x12 mm
Q±1	45 mm

S.I.R. Società Italiana Resistor

I-21053 Castellanza – Via Isonzo, 13
Tel. +39 0331.504828 – Fax +39 0331.504565





Resistenza cementata fissa
 mod. RNOC (regolabile RNOCR)
*Cemented fixed resistor
 type RNOC (adjustable RNOCR)*

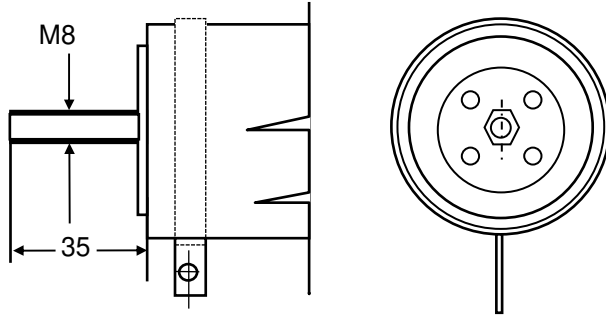
- FD 532490
 - Revision 9 12/12/2025
 - FD issue 03/07/2019

- Designed
 S. Valente UT
 - Approved
 C. Mortella RT

sheet 4 of 6

THIS DOCUMENT IS SUBJECT TO CHANGE WITHOUT NOTICE

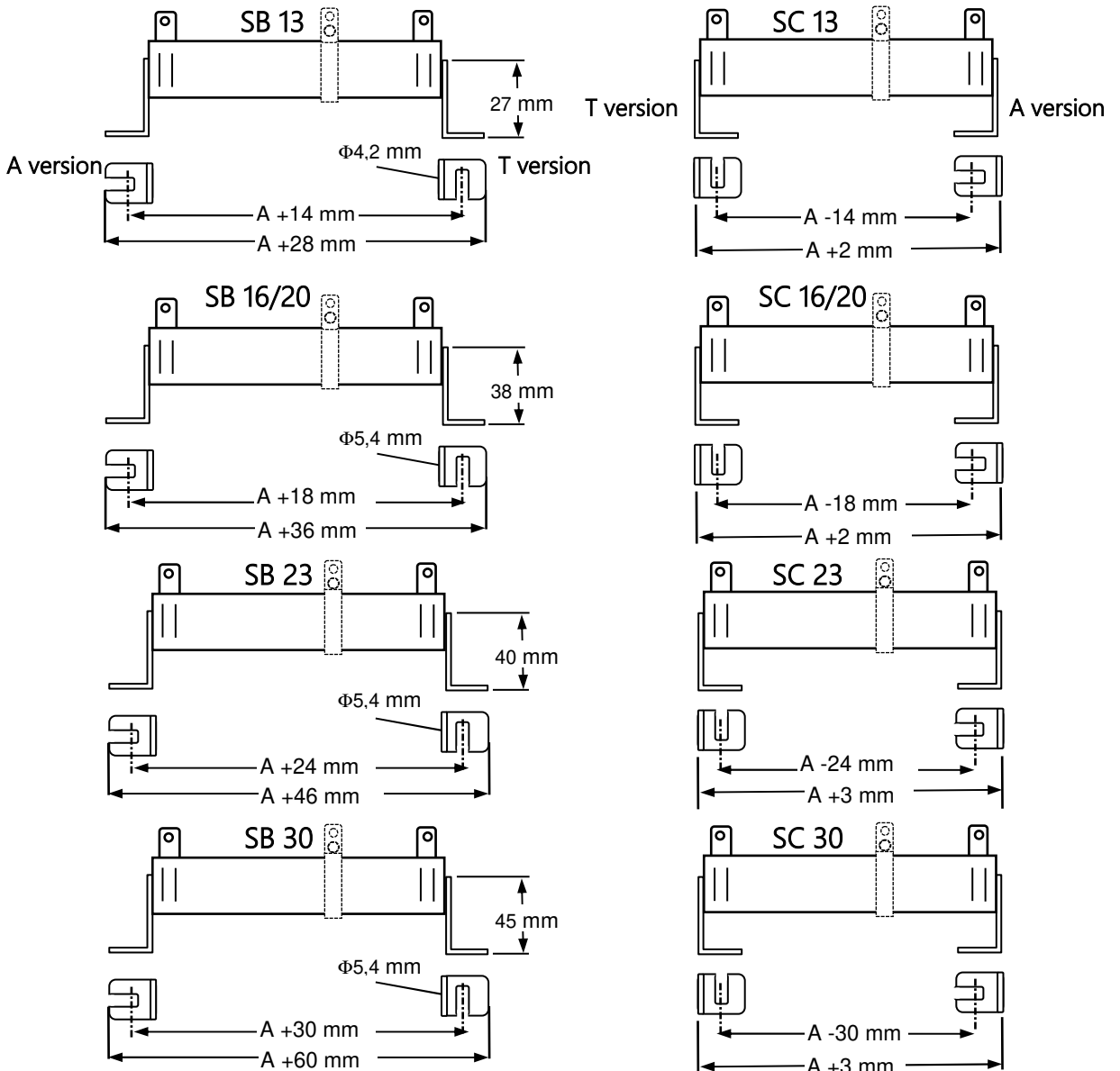
Fixing support by tie rod L



L	30.XXX/42.XXX/50.XXX/60.XXX
L±3	25 mm max
M	Tirante/Tie rod M6 (standard) or M8 (on request) Con dado, rondella spaccata grower, rondella piana With nut, grower washer, flat washer

Fixing support SB/SC

SB-SC type	Resistor class
23	25.XXX 29.XXX
30	30.XXX



S.I.R. Società Italiana Resistor

I-21053 Castellanza - Via Isonzo, 13
 Tel. +39 0331.504828 - Fax +39 0331.504565





Resistenza cementata fissa
mod. RNOC (regolabile RNOCR)
Cemented fixed resistor
type RNOC (adjustable RNOCR)

sheet 5 of 6

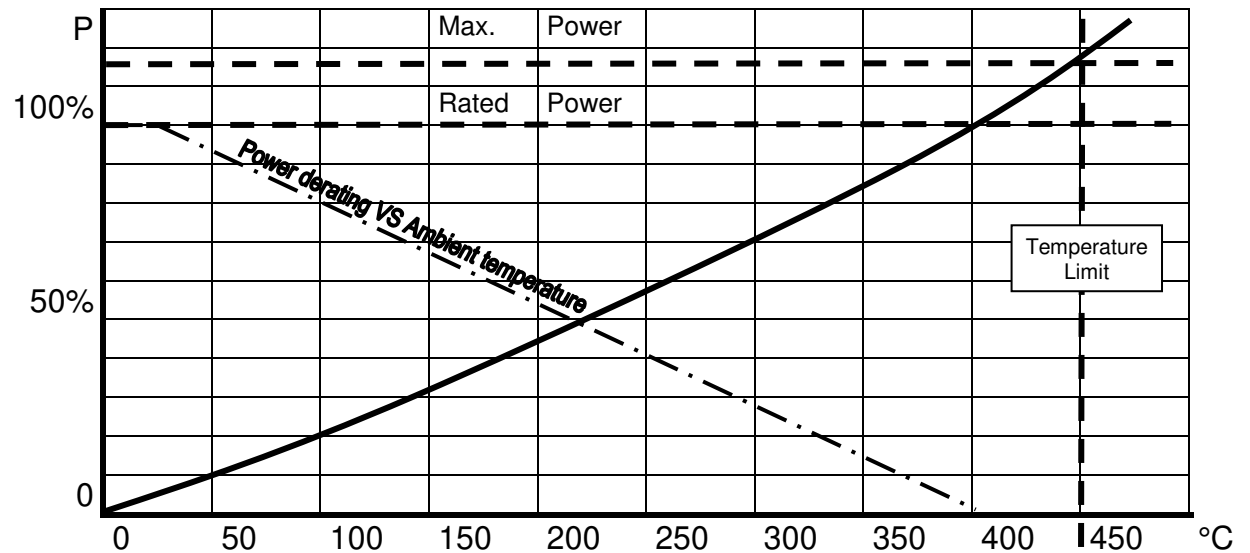
- FD 532490
 - Revision 9 12/12/2025
 - FD issue 03/07/2019
-
- Designed
S. Valente UT
 - Approved
C. Mortella RT

THIS DOCUMENT IS SUBJECT TO CHANGE WITHOUT NOTICE



10. CARATTERISTICHE AMBIENTALI E DI DURATA – ENVIRONMENTAL AND ENDURANCE DATA (MIL R 26 D Test procedures)			
TEST	REQUIREMENTS	CONDITIONS	RESULTS
Sovraccarico di breve durata <i>Short time overload</i>	< 2%±0,05Ω	10 Pr during 5 sec., maximum voltage 6000 V or 2,5 times the limit voltage	~0,5%
Shock termici <i>Thermal shock</i>	< 3%±0,05Ω Insulation Resistance > 100 MΩ	-55°C/+200°C 5 cycles MIL STD 202 Test 107G	~0,5%
Umidità (continuativa) <i>Humidity (steady state)</i>	< 2% Insulation Resistance > 100 MΩ	1344 Hours at 95% RH, 40°C MIL STD 202 Method 103B	~0,5%
Umidità ciclica <i>Moisture</i>	< 2% Insulation Resistance > 100 MΩ	10 cycles 55°C/-10°C, Rel. Humidity 95%÷100% MIL STD 202 Method 106G	~0,5%
Carico di durata a vita <i>Endurance life load</i>	< 5%	Cycle 90' on/30' off, 2000 h at Pr and 25°C MIL STD 202 Method 108A	~1,5%
Nebbia salina / <i>Salt spray</i>	No pollution or corrosion	MIL STD 202 Method 101E	Passed
Resistenza terminali <i>Terminals strength</i>	1%±0,05Ω resistant	Traction 40 N/Torque 0.60 Nm MIL STD 202 Method 211A	<0,2% No breaking

11. Incremento della temperatura superficiale in funzione della potenza dissipata. *Surface temperature versus rated power dissipation.*



S.I.R. Società Italiana Resistor
 I-21053 Castellanza – Via Isonzo, 13
 Tel. +39 0331.504828 – Fax +39 0331.504565

I resistori possono resistere ad elevati sovraccarichi durante un relativo breve istante (on-time). Durante il sovraccarico il materiale attivo raggiunge la massima temperatura. Durante la pausa (off-time) l'energia è rilasciata nell'aria. Il ciclo è il tempo on-time più l'off-time ed è qui considerato 120 secondi. Per altri cicli di carico o per applicazioni continuative particolarmente gravose, per favore consultare il supporto tecnico di SIR. Nota: la Potenza nominale continuativa, Pr, è stata misurata in condizioni di laboratorio con resistore in condizioni di scambio termico ottimali.

The resistors can withstand high overload during relative short time (on-time). During overload the active material reaches maximum temperature. During the resistor period (off-time) the energy is further released into the air. The cycle time is the on-time plus the off-time and taken here as 120 seconds. For other cycle loads or continuous application very stressing, please consult SIR technical support. Note: Continuous Power rating, Pr, was measured under laboratory conditions with resistor under optimal heat exchange conditions.

Il livello di energia dipende dal valore Ohmico, potenza media e tempo di applicazione (i valori mostrati si riferiscono a 20-40 Ohm).
 Il livello di energia e di potenza nominale sono massimizzati nel resistore con un basso valore di resistenza (filo con diametro maggiore), mentre per valori Ohmici più alti con diametro del filo inferiore, il livello di energia e la potenza nominale devono essere ridotti proporzionalmente.

The energy level depends on the Ohmic value, average power and application time (the values shown refer to 20-40 Ohm).
The energy level and the power rating are maximized in the resistor with low resistance value (wire with higher diameter), while for higher Ohmic values with lower wire diameter, the energy level and the power rating have to be derated proportionally.

I modelli anti-induttivi devono essere depotenziati del 25%.
 La curva mostra la capacità di sovraccarico in percentuale della potenza nominale per carichi impulsivi di data durata con un tempo di ciclo di 120 secondi

Anti-inductive models should be de-rated by 25%.
Underneath curve shows the overload capability in percentage of the nominal power for pulse loads at given duration with a cycle time of 120 seconds.

Sovraccarico/Overload @40°C, duty 5 sec, cycle 120 sec.	~10,0Pr
Sovraccarico/Overload @40°C, duty 10 sec, cycle 120 sec.	~5,0Pr
Sovraccarico/Overload @40°C, duty 20 sec, cycle 120 sec.	~2,8Pr
Sovraccarico/Overload @40°C, duty 40 sec, cycle 120 sec.	~1,7Pr



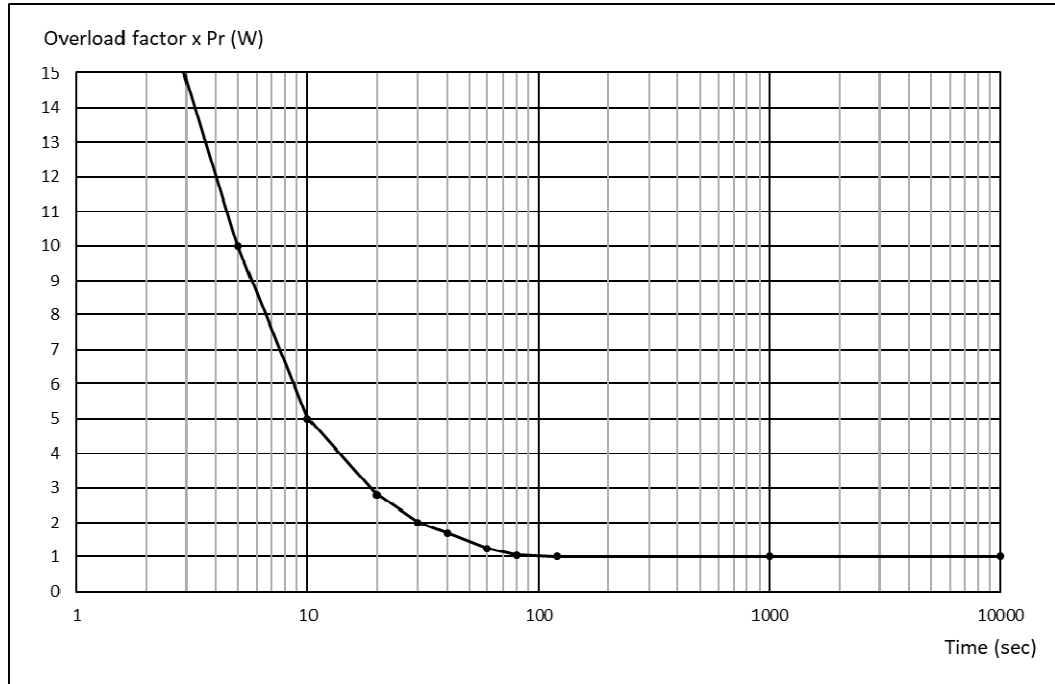


Resistenza cementata fissa
mod. RNOC (regolabile RNOCR)
*Cemented fixed resistor
type RNOC (adjustable RNOCR)*

sheet 6 of 6

THIS DOCUMENT IS SUBJECT TO CHANGE WITHOUT NOTICE

- FD 532490
 - Revision 9 12/12/2025
 - FD issue 03/07/2019
-
- Designed
S. Valente UT
 - Approved
C. Mortella RT



S.I.R. Società Italiana Resistor

I-21053 Castellanza – Via Isonzo, 13
Tel. +39 0331.504828–Fax +39 0331.504565

