



N. . 640250

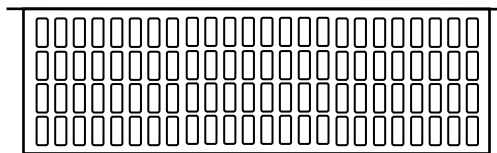
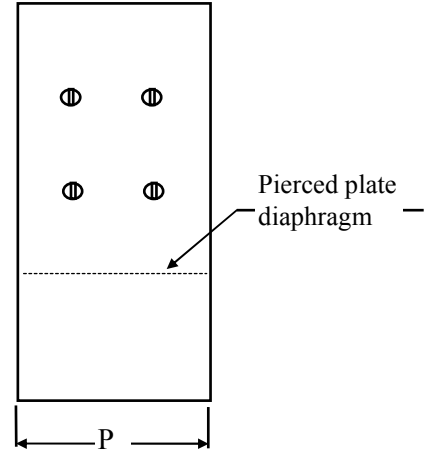
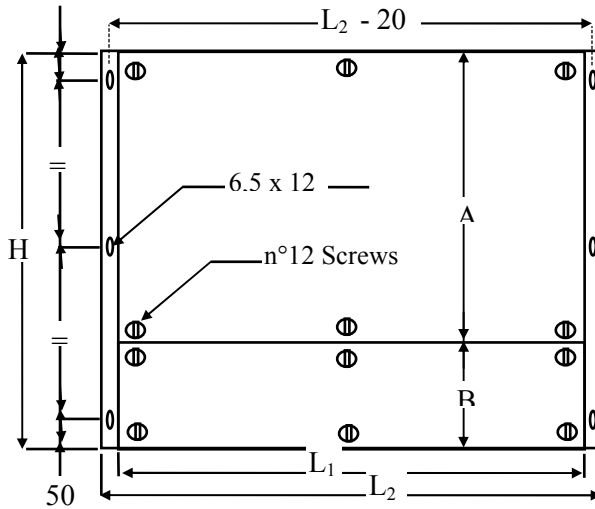
foglio 1 di 1

DATA SHEET

Approval Walter Cerutti
Verified Mauro Pellegatta

Revision 0 12.3.1996
Emission DT 12.3.1996

VENTILATED RESISTORS GROUP mod. BRU



BRU	H	L ₁	L ₂	P	A	B
21K	650	550	590	340	490	160
16K	650	550	590	340	490	160
14K	540	440	480	340	490	160
10K	540	440	480	340	490	160

1. DESCRIPTION

Frequently, in dynamic braking, when the continuous power is higher than 1000 W, the requirement of a ventilated and protected resistors group that may be employed like an independent unit, arises.

The resistors group type BUV 1 & BUV 2 (see Data Sheet 64230&64240) are studied to meet this need, when the required load is between 1000 and 8000 W.

In the case higher loads were required, the correct solution could be the groups of resistors BRU style.

The finishing surface of the metallic box is varnished with RAL 7032 colour

2. GENERAL CHARACTERISTICS

A resistors group, suitable to stand the required load or impulse duty cycle, is mounted in the ventilated box. The following characteristics are common to all models.

2.1 Dielectric strength (1'@ 50Hz)	4.500 Vrms. (resistors/box) 3.000 Vrms. (Auxiliaries Clamps/box)
2.2 Isolation resistance (@ 1000V)	> 10.000 MΩ
2.3 Resistance range	2 ÷ 10.000 Ω
2.4 Tolerance	± 5%
2.5 Connecting clamps	Resistor N° 2 of 6 mm ² Ventilator N° 2 of 4 mm ² Thermostat N° 2 of 4 mm ² Earth N° 1 of 6 mm ²

S.I.R. Società Italiana Resistor
I 21053 Castellanza - Via Isonzo 13
Tel.0331.504.828 - Fax 0331.504.565





N. . 640250

foglio 2 di 2

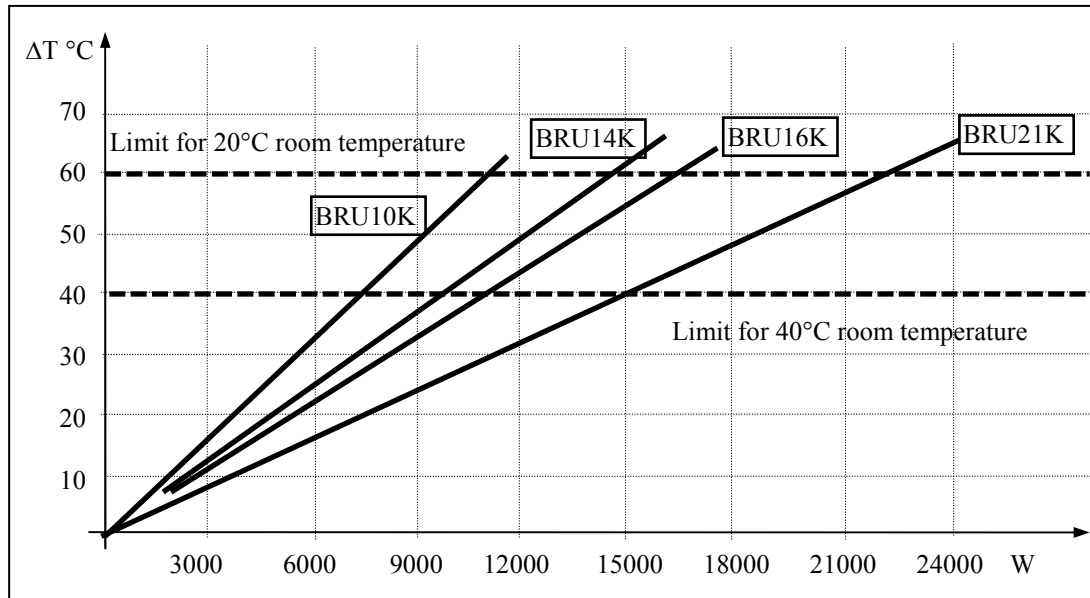
DATA SHEET

Approval Walter Cerutti
Verified Mauro Pellegatta

Revision 0 12.3.1996
Emission DT 12.3.1996

VENTILATED RESISTORS GROUP mod. BRU

2.6 Graph Load/Outlet over temperature



NOTE -

The limits fixed by the dotted lines, show the maximum admitted load to avoid the temperature of outlets to arise beyond 80°C.

Beyond this temperature, the security norms impose to signal the high temperature or to protect from incidental contacts.

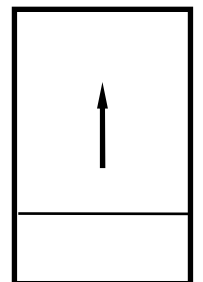
3. SPECIAL FEATURES

On request, it is possible to receive the following semistandard executions:

- 3.1 - with security thermostat (recommended).
- 3.2 -with non inductive winding.
- 3.3 -with more resistance values

4. ASSEMBLING INSTRUCTIONS

The correct mounting is vertical with outlet leaving the upper side.
Horizontal mounting is not practicable.



S.I.R. Società Italiana Resistor
I 21053 Castellanza - Via Isonzo 13
Tel.0331.504.828 - Fax 0331.504.565

