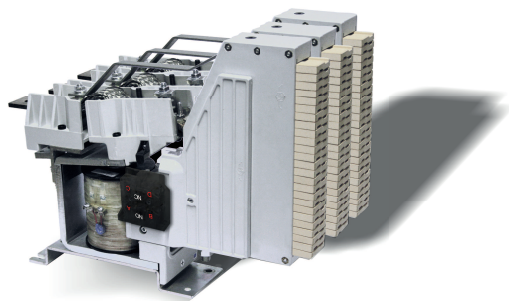


Switches

Standard Family Code LTHS08003*A03



Description

Contactors with single interruption in air, electromagnetic control by starter power save system plus saving resistor. Single state functioning. Reference Standard IEC 60077, IEC 61992 and IEC 60947.

Type	LTHS 800
Number of Poles	3 NO
Mounting Position	Horizontal - Vertical ¹
Control Voltage Rating U _c [Vdc]	24 - 36 - 48 - 72 - 110
Auxiliary Contact Blocks	2 (1 NO + 1 NC)
Block Type	SL
Arc chute Material	Ceramic
Main Contacts tips Material	S6
Arcing Contacts tips Material	S6
Electric Diagram	SC27219
Layout Drawing	D51549

¹ To be specified in order phase.

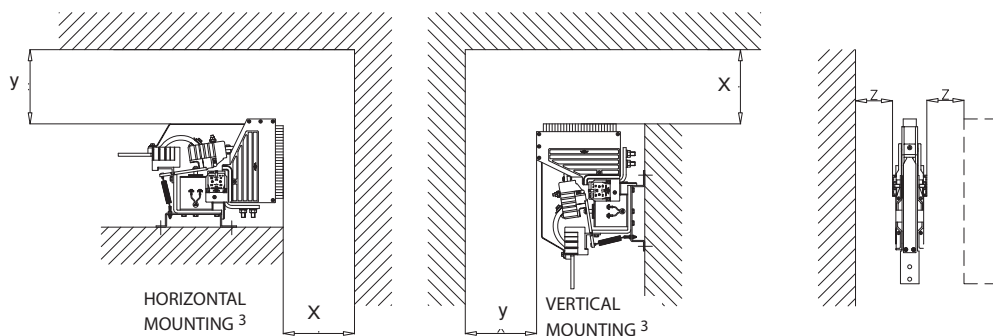
Electrical Characteristics

Rated Operational Voltage [V _{ac}]	900 / 1800 ¹
Max Operational Voltage [V _{ac}]	2000
Rated Insulation Voltage [V]	2000
Conventional Free Air Thermal Current [A] at 40°C ²	920
Conventional Free Air Thermal Current [A] at 75°C ²	800
AC-Maximum Breaking Capacity (cosφ=0,8; 50Hz) [A]	
1800V	2200
900	4500
Component Category / Operational Frequency Class	A2 / C3
Short Circuit Withstand Capacity for 5ms [kA]	12
Critical Current Range [A]	None
Fault Making Capacity [kA]	7.2
Blow Out Circuit Type	Indirect coil with arcing contact

² Device cabled according IEC 60947

Minimum clearances [mm] from:				
Rated Operational Voltage	X	Y	Z	
900V	Metal Parts	100	50	30
	Plastic Parts	50	30	20

Minimum clearances [mm] from:				
Rated Operational Voltage	X	Y	Z	
1800V	Metal Parts	120	50	40
	Plastic Parts	50	30	20



³ OTHER MOUNTING POSITIONS NOT ALLOWED



Microelettrica Scientifica

Switches

Standard Family Code
LTHS08003*A03

Mechanical Characteristics

Mechanical Endurance (cycles)	2x10 ⁶
Shock and Vibrations (IEC61373)	Cat.1 - Class B
Weight [kg]	38.5

Control Circuit

Control Voltage Range	0.7U _c ÷ 1.25U _c
Power Consumption (U _c and T = 20°C) at Pick Up - when Holding [W] ⁴	150 - 80
Mechanical Operation Time (U _c and T = 20°C) when Closing - Opening [ms]	220 - 40
Time Constant (L/R) at Pick Up - when Holding [ms]	5 - 5
Electrical Connections	Fast-On 6.35x0.8mm

Auxiliary Contacts

Tips material	Solid Silver
Rated Operational Voltage [V _{ac} / V _{dc}]	250
Rated Current [A]	10
Minimum Switching Current at 16V _{dc} [mA] ⁵	20
Electrical Connections	Fast-On 6.35x0.8mm

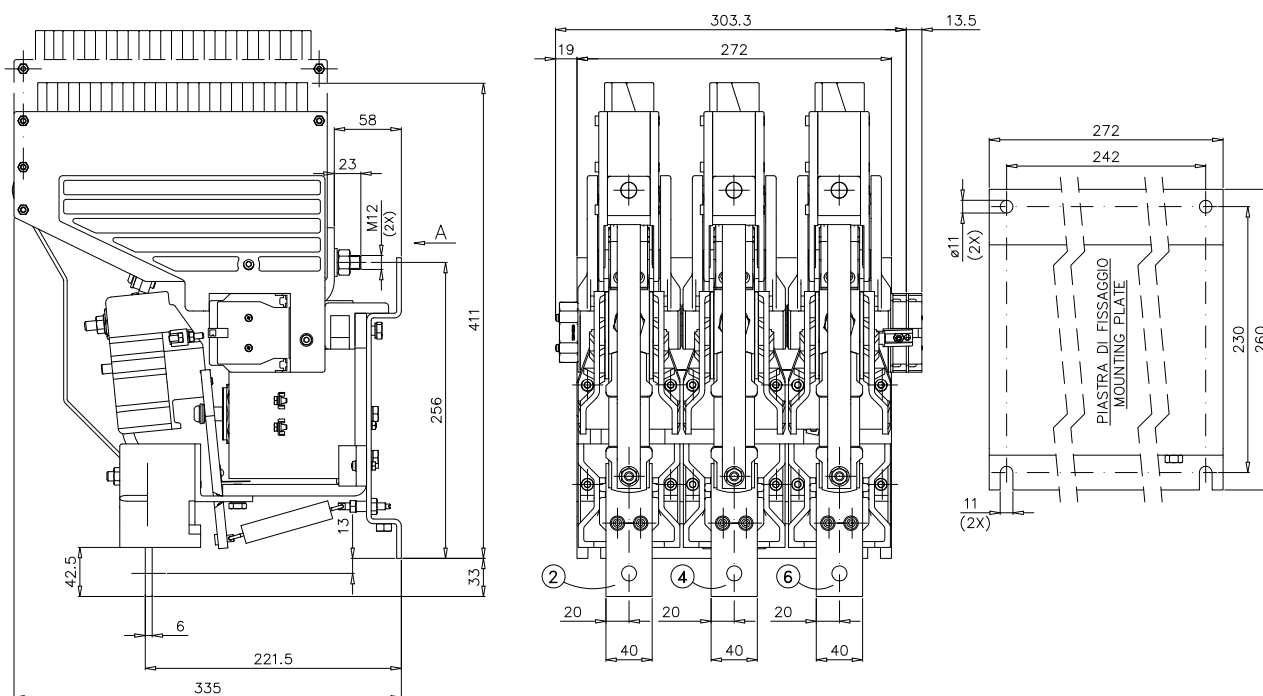
Environmental Conditions

Stock Temperature Range	-50°C ÷ +85°C
Operational Temperature Range	Tx (-40°C ÷ +75°C) ⁶
Pollution Degree - Overvoltage Category (EN 50124-1)	PD3 - OV3
Max Altitude without Performance Derating [m]	2000

⁴ Minimum reclosing command time = 2s

⁵ In clean and dry conditions

⁶ In according to IEC50125-1



KNORR-BREMSE



Microelettrica Scientifica

Microelettrica Scientifica S.p.A. - 20090 Buccinasco (MI) - V. Lucania, 2 - Italy
Tel. +39 02 575731 - Fax +39 02 57510940 - E-Mail: info@microelettrica.com