

Switches

Standard Family Code LTHS06503*A02



Description

Contacteur with single interruption in air, electromagnetic control by starter power system plus saving resistor. Single state functioning. Reference Standard IEC 60077, IEC 61992 and IEC 60947.

Type	LTHS 650
Number of Poles	3 NO
Mounting Position	Horizontal - Vertical ¹
Control Voltage Rating U _c [Vdc]	24 - 36 - 48 - 72 - 110
Auxiliary Contact Blocks	2 (1 NO + 1 NC)
Block Type	SL
Arc chute Material	Ceramic
Main Contacts tips Material	S6
Arcing Contacts tips Material	-
Electric Diagram	D51725
Layout Drawing	SC27219

¹ To be specified in order phase.

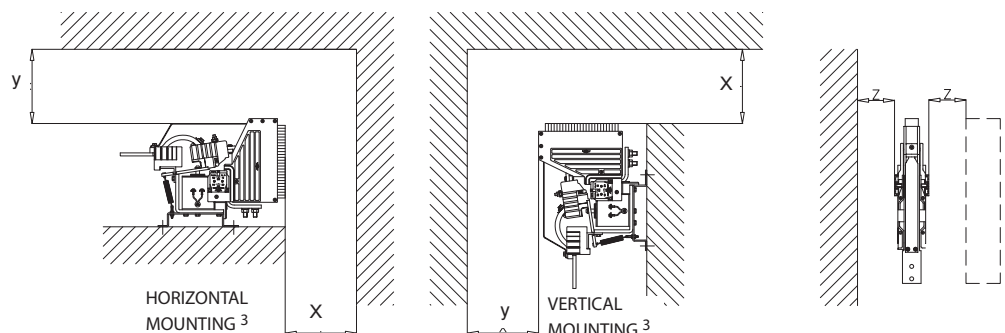
Electrical Characteristics

Rated Operational Voltage [V _{ac}]	900/1800 ¹	
Max Operational Voltage [V _{ac}]	2000	
Rated Insulation Voltage [V]	2000	
Conventional Free Air Thermal Current [A] at 40°C ²	700	
Conventional Free Air Thermal Current [A] at 75°C ²	650	
AC-Maximum Breaking Capacity (cosφ=0,8; 50Hz) [A]	Péolyester resin arc chute	Ceramic arc chute
1800V	950	1850
900	1850	3750
Component Category / Operational Frequency Class	A2 / C3	
Short Circuit Withstand Capacity for 5ms [kA]	12	
Critical Current Range [A]	None	
Fault Making Capacity [kA]	7.2	
Blow Out Circuit Type	Indirect coil	

² Device cabled according IEC 60947

Minimum clearances [mm] from:				
Rated Operational Voltage	X	Y	Z	
900V	Metal Parts	100	50	30
	Plastic Parts	50	30	20

Minimum clearances [mm] from:				
Rated Operational Voltage	X	Y	Z	
1800V	Metal Parts	120	50	40
	Plastic Parts	50	30	20



³ OTHER MOUNTING POSITIONS NOT ALLOWED

Switches

Standard Family Code
LTHS06503*A02

Mechanical Characteristics

Mechanical Endurance (cycles)	2x10 ⁶
Shock and Vibrations (IEC61373)	Cat.1 - Class B
Weight [kg]	35

Control Circuit

Control Voltage Range	0.7U _c ÷ 1.25U _c
Power Consumption (U _c and T = 20°C) at Pick Up - when Holding [W] ⁴	220 - 45
Mechanical Operation Time (U _c and T = 20°C) when Closing - Opening [ms]	240 - 50
Time Constant (L/R) at Pick Up - when Holding [ms]	5 - 5
Electrical Connections	Fast-On 6.35x0.8mm

Auxiliary Contacts

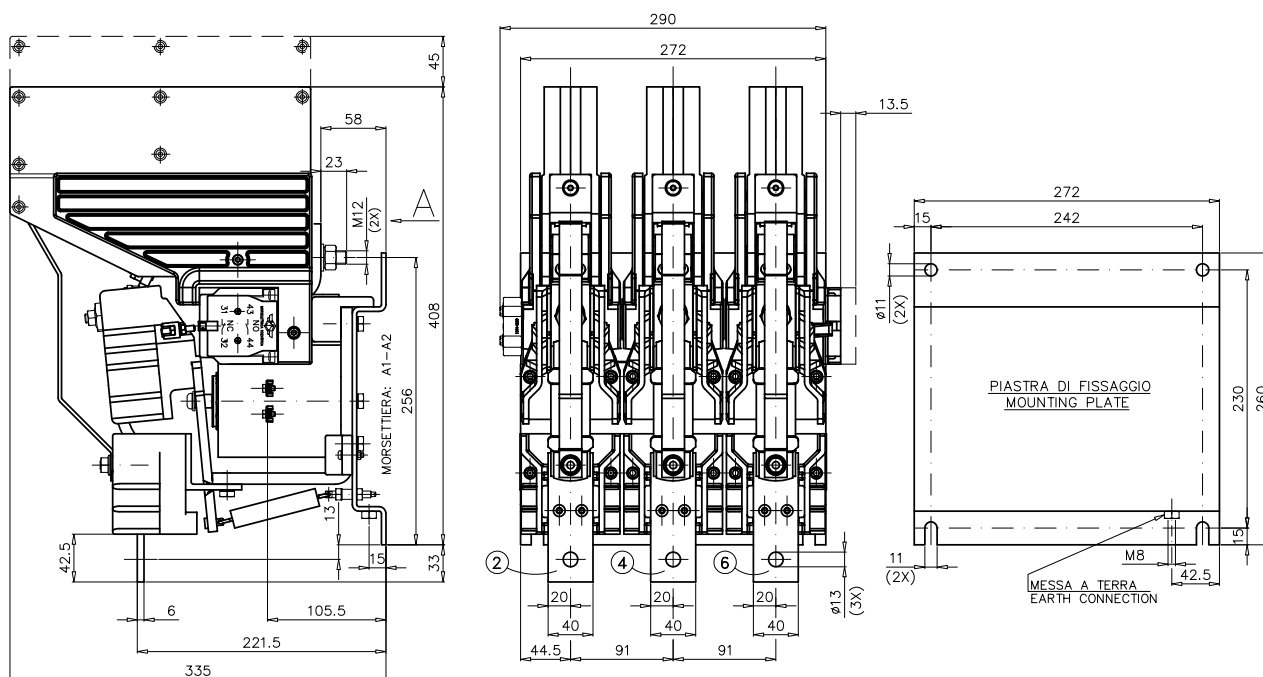
Tips material	Solid Silver
Rated Operational Voltage [V _{ac} / V _{dc}]	250
Rated Current [A]	10
Minimum Switching Current at 16V _{dc} [mA] ⁵	20
Electrical Connections	Fast-On 6.35x0.8mm

Environmental Conditions

Stock Temperature Range	-50°C ÷ +85°C
Operational Temperature Range	Tx (-40°C ÷ +75°C) ⁶
Pollution Degree - Overvoltage Category (EN 50124-1)	PD3 - OV3
Max Altitude without Performance Derating [m]	2000

⁴ Minimum reclosing command time = 2s ⁵ In clean and dry conditions

⁶ In according to IEC50125-1



KNORR-BREMSE



Microelettrica Scientifica

Microelettrica Scientifica S.p.A. - 20090 Buccinasco (MI) - V. Lucania, 2 - Italy
Tel. +39 02 575731 - Fax +39 02 57510940 - E-Mail: info@microelettrica.com