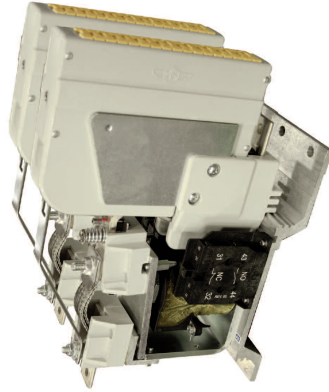


Switches

Special Family Code LTHS03802*A00



Description

Contactors with single interruption in air, electromagnetic control by full power coil. Single state functioning.

Reference Standard IEC 60077, IEC 61992 and IEC 60947.

Type	LTHS 380
Number of Poles	2 NO
Connection between poles	Single, series or parallel
Mounting Position	Vertical
Control Voltage Rating U_c [Vdc]	24 - 36 - 48 - 72 - 110 ¹
Auxiliary Contact Blocks	2x (1 NO + 1 NC)
Block Type	SL
Arc chute Material	Ceramic
Main Contacts tips Material	S6
Arcing Contacts tips Material	S6
Electric Diagram	-
Layout Drawing	D51402

¹ To be specified in order phase.

Electrical Characteristics

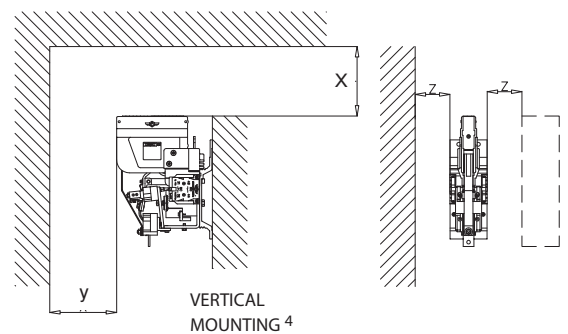
Rated Operational Voltage [V_{ac} / V_{dc}]	900 / 1800 ¹		
Max Operational Voltage [V_{ac} / V_{dc}]	2000		
Rated Insulation Voltage [V]	2000		
	Single	Series Connected ³	Parallel Connected ³
Conventional Free Air Thermal Current [A] at 40°C ²	380	380	740
Conventional Free Air Thermal Current [A] at 75°C ²	350	350	700
DC-Rated Operational Current ($\tau=15ms$) [A]			
1800V	-	290	-
900V	300	625	300
DC-Maximum Breaking Capacity ($\tau=5ms$) [A]			
1800V	-	320	-
900V	400	830	400
AC-Maximum Breaking Capacity ($\cos\phi=0,8$; 50Hz) [A]			
1800V	-	660	-
900V	500	1500	700
Short Circuit Withstand Capacity for 5ms [kA]	8	8	10
Critical Current Range [A]	<50 (U>1500)(V _{dc})	None	<50 (U>1500)(V _{dc})
Fault Making Capacity [kA]	4.8	4.8	6
Component Category / Operational Frequency Class	A2 / C3		
Blow Out Circuit Type	Indirect coil with arcing contact		

² Device cabled according IEC 60947

³ Series or parallel bar connections are available under request

Minimum clearances [mm] from:				
Rated Operational Voltage	X	Y	Z	
900V	Metal Parts	100	50	30
	Plastic Parts	50	30	20

Minimum clearances [mm] from:				
Rated Operational Voltage	X	Y	Z	
1800V	Metal Parts	120	50	30
	Plastic Parts	50	30	20



⁴ OTHER MOUNTING POSITIONS NOT ALLOWED



Microelettrica Scientifica

Switches

Special Family Code
LTHS03802*A00

Mechanical Characteristics

Mechanical Endurance (cycles)	2x10 ⁶
Shock and Vibrations (IEC61373)	Cat.1 - Class B
Weight [kg]	8.5

Control Circuit

Control Voltage Range	0.7U _c ÷ 1.25U _c
Power Consumption (U _c and T = 20°C) at Pick Up - when Holding [W]	32 - 32
Mechanical Operation Time (U _c and T = 20°C) when Closing - Opening [ms]	110 - 32
Time Constant (L/R) at Pick Up - when Holding [ms]	75 - 90
Electrical Connections	Fast-On 6.35x0.8mm

Auxiliary Contacts

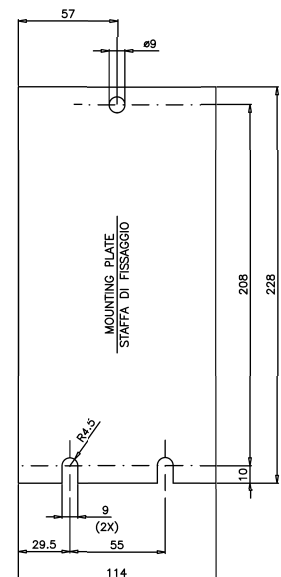
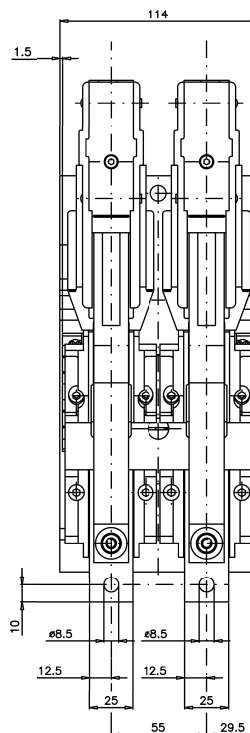
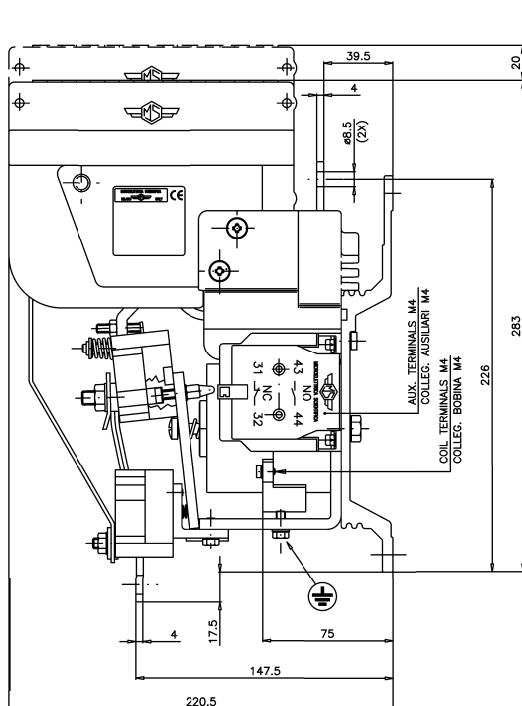
Tips material	Solid Silver
Rated Operational Voltage [V _{ac} / V _{dc}]	250
Rated Current [A]	10
Minimum Switching Current at 16V _{dc} [mA] ⁵	10
Electrical Connections	Fast-On 6.35x0.8mm

Environmental Conditions

Stock Temperature Range	-50°C ÷ +85°C
Operational Temperature Range	Tx (-40°C ÷ +75°C) ⁶
Pollution Degree - Overvoltage Category (EN 50124-1)	PD3 / OV3
Max Altitude without Performance Derating [m]	2000

⁵ In clean and dry conditions

⁶ In according to IEC50125-1



KNORR-BREMSE



Microelettrica Scientifica

Microelettrica Scientifica S.p.A. - 20090 Buccinasco (MI) - V. Lucania, 2 - Italy
Tel. +39 02 575731 - Fax +39 02 57510940 - E-Mail: info@microelettrica.com