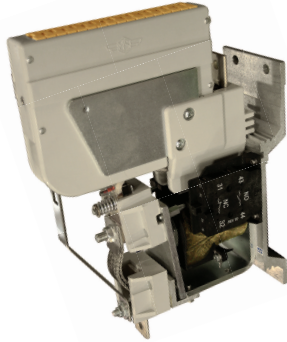


Switches

Special Family Code LTHS03801*A00



Description

Contacter with single interruption in air, electromagnetic control by full power coil. Single state functioning.

Reference Standard IEC 60077, IEC 61992 and IEC 60947.

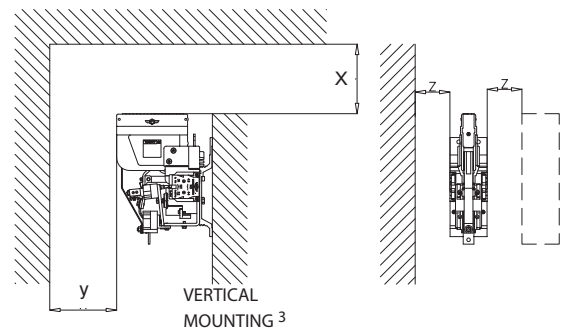
Type	LTHS 380
Number of Poles	1 NO
Mounting Position	Vertical
Control Voltage Rating U_c [Vdc]	24 - 36 - 48 - 72 - 110 ¹
Auxiliary Contact Blocks	2x (1 NO + 1 NC)
Block Type	SL
Arc chute Material	Ceramic
Main Contacts tips Material	S6
Arcing Contacts tips Material	S6
Electric Diagram	-
Layout Drawing	D51869

¹ To be specified in order phase.

Electrical Characteristics

Rated Operational Voltage [V_{ac} / V_{dc}]	900
Max Operational Voltage [V_{ac} / V_{dc}]	1000
Rated Insulation Voltage [V]	2000
Conventional Free Air Thermal Current [A] at 40°C ²	380
Conventional Free Air Thermal Current [A] at 75°C ²	350
DC-Rated Operational Current ($\tau=15ms$) [A]	
1000V	270
900V	300
DC-Maximum Breaking Capacity ($\tau=5ms$) [A]	
1000V	360
900V	400
AC-Maximum Breaking Capacity ($\cos\phi=0,8$; 50Hz) [A]	
1000V	500
900V	500
Component Category / Operational Frequency Class	A2 / C3
Short Circuit Withstand Capacity for 5ms [kA]	8
Critical Current Range [A]	NONE
Fault Making Capacity [kA]	4.8
Blow Out Circuit Type	Indirect coil with arcing contact

² Device cabled according IEC 60947



³ OTHER MOUNTING POSITIONS NOT ALLOWED

Minimum clearances [mm] from:				
Rated Operational Voltage	X	Y	Z	
900V	Metal Parts	100	50	30
	Plastic Parts	50	30	20



Microelettrica Scientifica

Switches

Special Family Code
LTHS03801*A00

Mechanical Characteristics

Mechanical Endurance (cycles)	2x10 ⁶
Shock and Vibrations (IEC61373)	Cat.1 - Class B
Weight [kg]	4.8

Control Circuit

Control Voltage Range	0.7U _c ÷ 1.25U _c
Power Consumption (U _c and T = 20°C) at Pick Up - when Holding [W]	25 - 25
Mechanical Operation Time (U _c and T = 20°C) when Closing - Opening [ms]	110 - 30
Time Constant (L/R) at Pick Up - when Holding [ms]	60 - 80
Electrical Connections	Fast-On 6.35x0.8mm

Auxiliary Contacts

Tips material	Solid Silver
Rated Operational Voltage [V _{ac} / V _{dc}]	250
Rated Current [A]	10
Minimum Switching Current at 16V _{dc} [mA] ⁴	10
Electrical Connections	Fast-On 6.35x0.8mm

Environmental Conditions

Stock Temperature Range	-50°C ÷ +85°C
Operational Temperature Range	Tx (-40°C ÷ +75°C) ⁵
Pollution Degree - Overvoltage Category (EN 50124-1)	PD3 - OV3
Max Altitude without Performance Derating [m]	2000

⁴ In clean and dry conditions

⁵ In according to IEC50125-1

