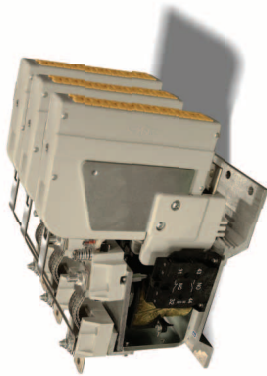


# Switches

## Special Family Code LTHS03203SA91



Type	LTHS 320
Number of Poles	3 NO
Mounting Position	Vertical
Control Voltage Rating [V <sup>ac</sup> ]	24 - 36 - 48 - 72 - 110 <sup>1</sup>
Auxiliary Contact Blocks	2 (1 NO + 1 NC)
Block Type	5L
Arc chute Material	Ceramic
Main Contacts tips Material	S6
Arcing Contacts tips Material	S6
Electric Diagram	-
Layout Drawing	D45827 - I

<sup>1</sup> To be specified in order phase.

### Description

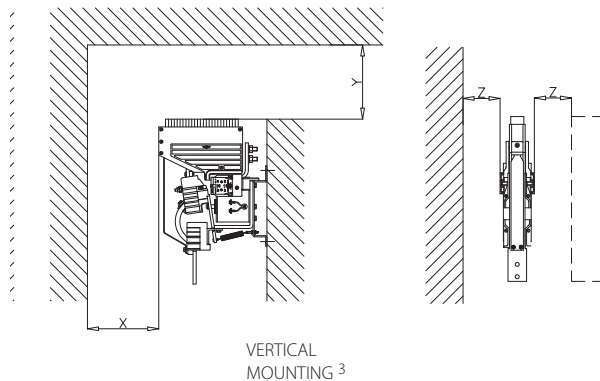
Contactors with single interruption in air, electromagnetic control by full power coils. Single state functioning. Reference Standard IEC 60077, IEC 61992 and IEC 60947.

### Electrical Characteristics

Rated Operational Voltage [V <sub>ac</sub> ]	440 / 900/1800 <sup>1</sup>
Max Operational Voltage [V <sub>ac</sub> ]	2000
Rated Insulation Voltage [V]	2000
Conventional Free Air Thermal Current [A] at 40°C <sup>2</sup>	350
Conventional Free Air Thermal Current [A] at 75°C <sup>2</sup>	300
AC-Maximum Breaking Capacity (cosφ=0,8; 50Hz) [A]	
1800V	600
900V	1200
440V	1800
Component Category / Operational Frequency Class	A2 / C3
Short Circuit Withstand Capacity for 5ms [kA]	8
Critical Current Range [A]	None
Fault Making Capacity [kA]	4.8
Blow Out Circuit Type	Indirect coil with arcing contact

<sup>2</sup> Device cabled according IEC 60947

Minimum clearances [mm] from:				
Rated Operational Voltage	X	Y	Z	
900V	Metal Parts	100	50	30
	Plastic Parts	50	30	20
Minimum clearances [mm] from:				
Rated Operational Voltage	X	Y	Z	
1800V	Metal Parts	120	50	30
	Plastic Parts	50	30	20



<sup>3</sup>Other mounting positions not allowed, reduced distances should be approved by MS.

# Switches

Special Family Code  
LTHS03203SA91

## Mechanical Characteristics

Mechanical Endurance (cycles)	2x10 <sup>6</sup>
Shock and Vibrations (IEC61373)	Cat.1 - Class B
Weight [kg]	11.2

## Control Circuit

Control Voltage Range	0.7U <sub>c</sub> ÷ 1.25U <sub>c</sub>
Power Consumption (U <sub>c</sub> and T = 20°C) at Pick Up - when Holding [W]	50 - 50
Mechanical Operation Time (U <sub>c</sub> and T = 20°C) when Closing - Opening [ms]	110 - 30
Time Constant (L/R) at Pick Up - when Holding [ms]	60 - 80
Electrical Connections	Fast-On 6.35x0.8mm

## Auxiliary Contacts

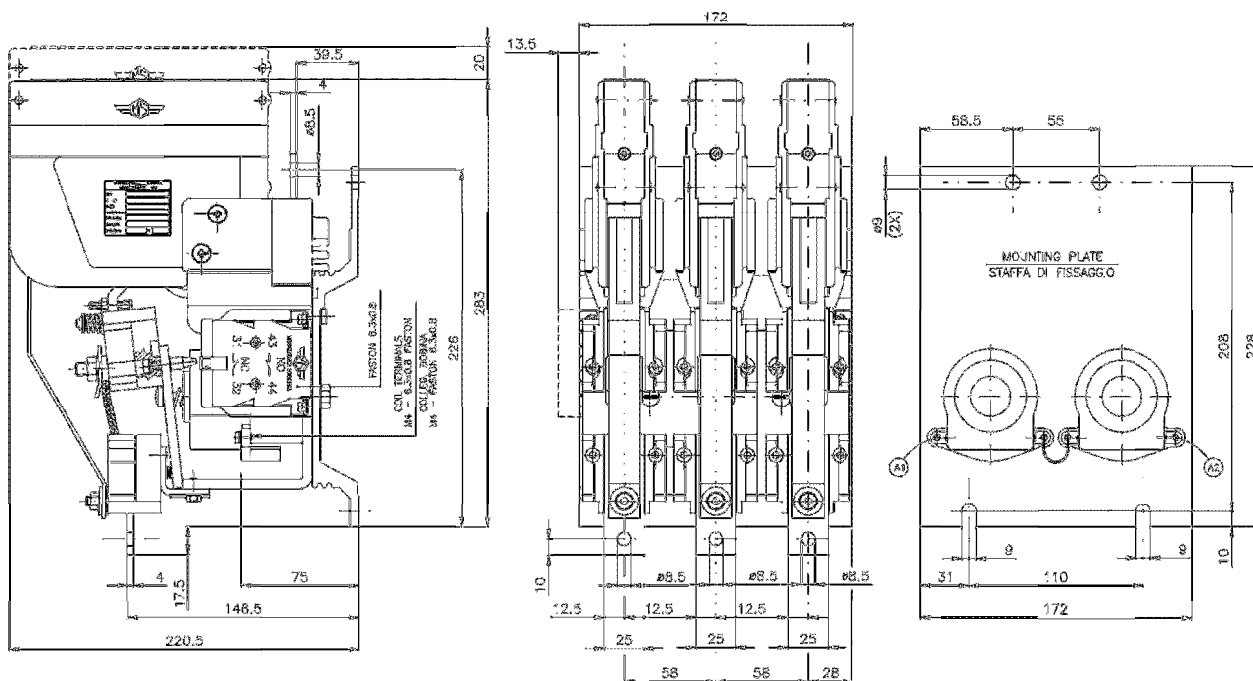
Rated Operational Voltage [V <sub>ac</sub> / V <sub>dc</sub> ]	250
Conventional Free Air Thermal Current [A] at 40° C	10
Tips material Rated Current [A]	Silver Alloy (Optional: Golden Plated)
Minimum Let-Through Current at 24/72/110V <sub>dc</sub> [mA] <sup>4</sup>	20(10)/15(7.5)/10(5)
Electrical Connections	Fast-On 6.35x0.8mm

## Environmental Conditions

Stock Temperature Range	-50°C ÷ +85°C
Operational Temperature Range	Tx (-40°C ÷ +75°C) <sup>5</sup>
Pollution Degree - Overvoltage Category (EN 50124-1)	PD3 - OV3
Max Altitude without Performance Derating [m]	2000

<sup>4</sup> Reference standard IEC 60947-5-4. Tested in a DRY and CLEAN condition with an LR load. For different working conditions, please contact MS.

<sup>5</sup> In according to IEC50125-1



**KNORR-BREMSE**



**Microelettrica Scientifica**

This publication may be subject to alteration without prior notice. Therefore, a printed copy of this document may not be the latest revision. Please contact your local representative for the latest update. The trademarks MS Microelettrica Scientifica, Knorr and Knorr-Bremse as well as the figurative mark "K" are registered. Copyright © Knorr-Bremse AG and Microelettrica Scientifica SpA - all rights reserved, including industrial property rights application. Knorr-Bremse AG and Microelettrica Scientifica SpA retain any power of disposal, such as for copying and transferring.

Microelettrica Scientifica S.p.A. - 20090 Buccinasco (MI) - V. Lucania, 2 - Italy  
Tel. +39 02 575731 - Fax +39 02 57510940 - E-Mail: info@microelettrica.com

Rev.10 09/2019\_RF