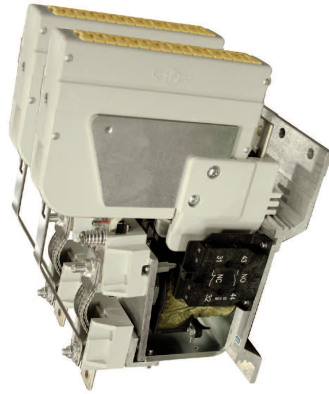


Switches

Standard Family Code LTHS03202*A01



Description

Contactors with single interruption in air, electromagnetic control by full power coil. Single state functioning.

Reference Standard IEC 60077, IEC 61992 and IEC 60947.

Type	LTHS 320
Number of Poles	2 NO
Connection between poles	Single, series or parallel
Mounting Position	Vertical
Control Voltage Rating U_c [Vdc]	24 - 36 - 48 - 72 - 110 ¹
Auxiliary Contact Blocks	2x (1 NO + 1 NC)
Block Type	SL
Arc chute Material	Ceramic
Main Contacts tips Material	S6
Arcing Contacts tips Material	S6
Electric Diagram	-
Layout Drawing	D45592

¹ To be specified in order phase.

Electrical Characteristics

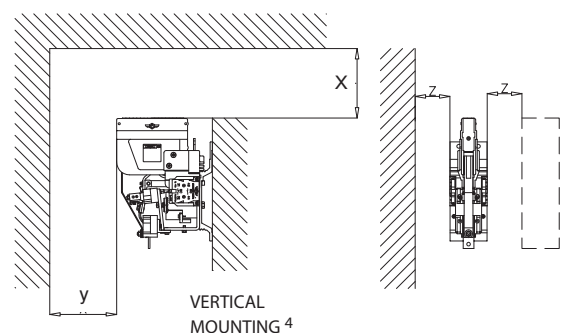
Rated Operational Voltage [V_{ac} / V_{dc}]	900 / 1800 ¹		
Max Operational Voltage [V_{ac} / V_{dc}]	2000		
Rated Insulation Voltage [V]	2000		
	Single	Series Connected ³	Parallel Connected ³
Conventional Free Air Thermal Current [A] at 40°C ²	320	320	640
Conventional Free Air Thermal Current [A] at 75°C ²	300	300	600
DC-Rated Operational Current ($\tau=15ms$) [A]			
1800V	-	290	-
900V	300	625	300
DC-Maximum Breaking Capacity ($\tau=5ms$) [A]			
1800V	-	320	-
900V	400	830	400
AC-Maximum Breaking Capacity ($\cos\phi=0,8$; 50Hz) [A]			
1800V	-	660	-
900V	500	1500	700
Short Circuit Withstand Capacity for 5ms [kA]	8	8	10
Critical Current Range [A]	<50 (U>1500)(V _{dc})	None	<50 (U>1500)(V _{dc})
Fault Making Capacity [kA]	4.8	4.8	6
Component Category / Operational Frequency Class	A2 / C3		
Blow Out Circuit Type	Indirect coil with arcing contact		

² Device cabled according IEC 60947

³ Series or parallel bar connections are available under request

Minimum clearances [mm] from:			
Rated Operational Voltage	X	Y	Z
900V	Metal Parts	100	50 30
	Plastic Parts	50	30 20

Minimum clearances [mm] from:			
Rated Operational Voltage	X	Y	Z
1800V	Metal Parts	120	50 30
	Plastic Parts	50	30 20



⁴ OTHER MOUNTING POSITIONS NOT ALLOWED



Microelettrica Scientifica

